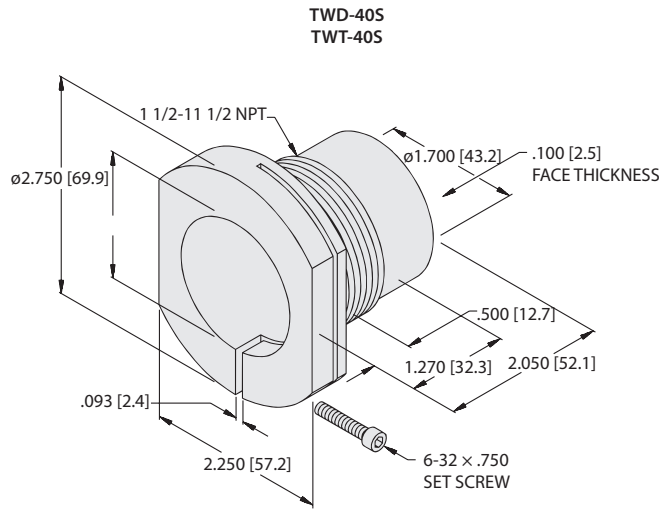
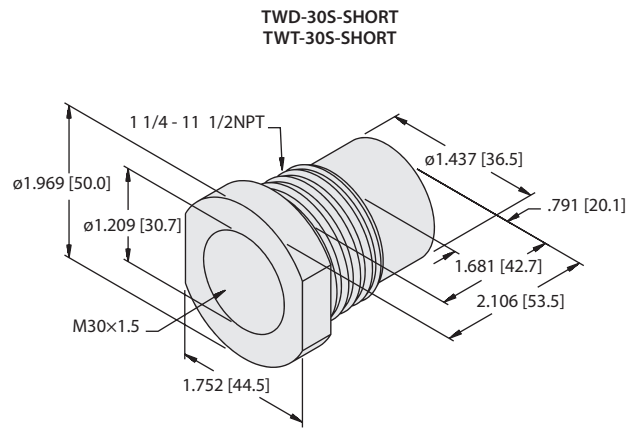
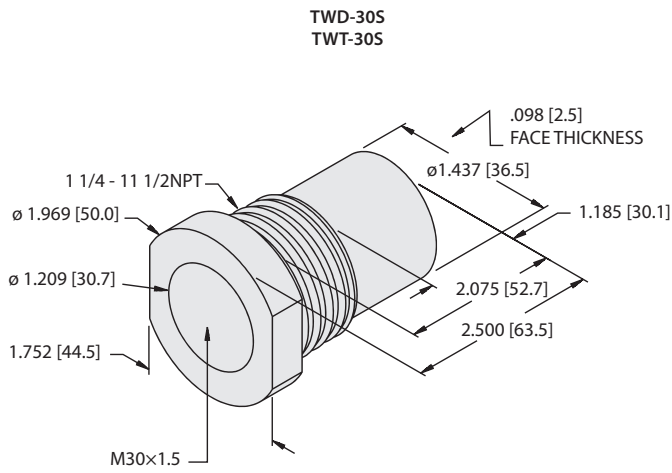


# Accessories

## Threaded Tank Wells



We reserve the right to make technical alterations without prior notice.

Part Number	ID Number	Barrel Diameter	Thread Size	Drill Size	Application
TWD-30S	A5065	Delrin	1 1/4 - 11 1/2 NPT	1 - 1/2	30 mm threaded capacitive sensors for liquid level sensing
TWT-30S	A5060	PTFE	1 1/4 - 11 1/2 NPT	1 - 1/2	30 mm threaded capacitive sensors for liquid level sensing
TWD-30S-SHORT	A5063	Delrin	1 1/4 - 11 1/2 NPT	1 - 1/2	30 mm threaded capacitive sensors for liquid level sensing
TWT-30S-SHORT	A5062	PTFE	1 1/4 - 11 1/2 NPT	1 - 1/2	30 mm threaded capacitive sensors for liquid level sensing
TWD-40S	A5075	Delrin	1 1/4 - 11 1/2 NPT	1 - 47/64	40 mm smooth capacitive sensors for liquid level sensing
TWT-40S	A5070	PTFE	1 1/4 - 11 1/2 NPT	1 - 47/64	40 mm smooth capacitive sensors for liquid level sensing

Inches [mm]