
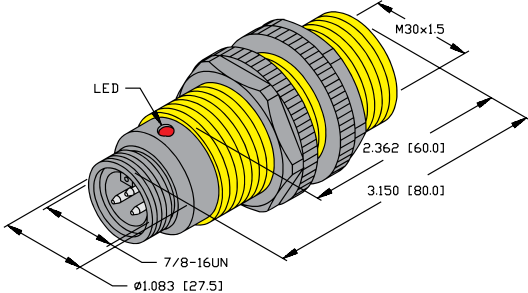
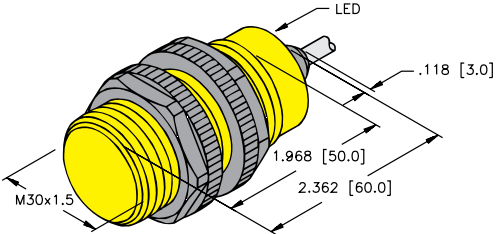
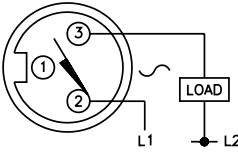
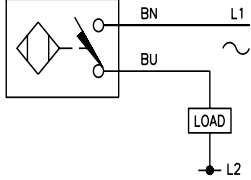


# Inductive Barrel Sensors | 30 mm

## Threaded Plastic Barrels with AC Outputs

Housing Style	Dimension Drawings
	<p><b>A</b></p>  <p>30 mm - Embeddable/Nonembeddable, Full Threading, 7/8" Minifast Connection</p>
<p><b>B</b></p>  <p>30 mm - Embeddable/Nonembeddable, Partial Threading, Potted-In Cable</p>	
Wiring Diagrams/Mating Cordsets	
<p><b>1</b></p>  <p>Mating Cordset: RK 30-*M</p>	<p><b>2</b></p> 
A6 2-wire AC/DC w/o Short-Circuit Protection - (AZ, RZ, FZ)	
<p>Line Frequency: <math>\geq 50 \dots \leq 60</math> Hz</p> <p>Differential Travel (Hysteresis): 3-15% (5% typical)</p> <p>Voltage Drop Across Conducting Sensor: <math>\leq 6.0</math> V</p> <p>Continuous Load Current: AC: <math>\leq 400</math> mA; DC: <math>\leq 300</math> mA</p> <p>Off-State (Leakage) Current: <math>\leq 1.7</math> mA</p> <p>Minimum Load Current: <math>\geq 3.0</math> mA</p>	<p>Inrush Current: <math>\leq 8</math> A (<math>\leq 10</math>ms max. 5 Hz)</p> <p><math>\leq 1</math> A (<math>\leq 10</math> ms max. 5 Hz) 12 mm</p> <p><math>\leq 0.2</math> A (<math>\leq 10</math> ms max. 0.2 Hz) 8 mm</p> <p>Power-On Effect: Per IEC 947-5-2</p> <p>Transient Protection: Per EN 60947-5-2</p> <p>Shock: 30 g, 11 ms</p> <p>Vibration: 55 Hz, 1 mm Amplitude, in all 3 Planes</p> <p>Repeatability: <math>\leq 2\%</math> of Rated Operating Distance</p>

We reserve the right to make technical alterations without prior notice.



# Inductive Barrel Sensors | 30 mm

## Threaded Plastic Barrels with AC Outputs

Part Number/ ID Number	Features	Sensing Range (mm)	Output	Voltage	Switching Freq. (Hz)	Operating Current (mA)	Operating Temp. (°C)	Protection	Housing	Face	Power LED	Output LED	Cable Length/Jacket	Dimension Drawings	Wiring Diagrams	Spec List
<b>Bi10-S30-AZ3X</b> 43554		10	2-wire AC/DC	20-250 VAC/10-300 VDC	20	≤400/300	-25 to +70	IP67	PA 12	PA 12	N/A	RD	2M/PVC	B	2	A6
<b>Ni15-S30-AZ3X</b> 43555		15	2-wire AC/DC	20-250 VAC/10-300 VDC	20	≤400/300	-25 to +70	IP67	PA 12	PA 12	N/A	RD	2M/PVC	B	2	A6
<b>Bi10-P30-AZ3X-B2131</b> 43749		10	2-wire AC/DC	20-250 VAC/10-300 VDC	20	≤400/300	-25 to +70	IP67	PA 12	PA 12	N/A	RD	--	A	1	A6
<b>Ni15-S30-AZ3X/S100</b> 13758	High Temp. 100 °C	15	2-wire AC/DC	20-250 VAC/10-300 VDC	20	≤400/300	-25 to +100	IP67	PA 12	PA 12	N/A	RD	2M/PVC	B	2	A6
<b>Ni15-P30-AZ3X-B2131</b> 43754		15	2-wire AC/DC	20-250 VAC/10-300 VDC	20	≤400/300	-25 to +70	IP67	PA 12	PA 12	N/A	RD	--	A	1	A6

We reserve the right to make technical alterations without prior notice.

Inductive Barrel Sensors

