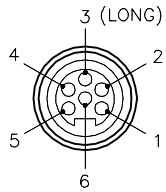



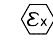
MALE END VIEW

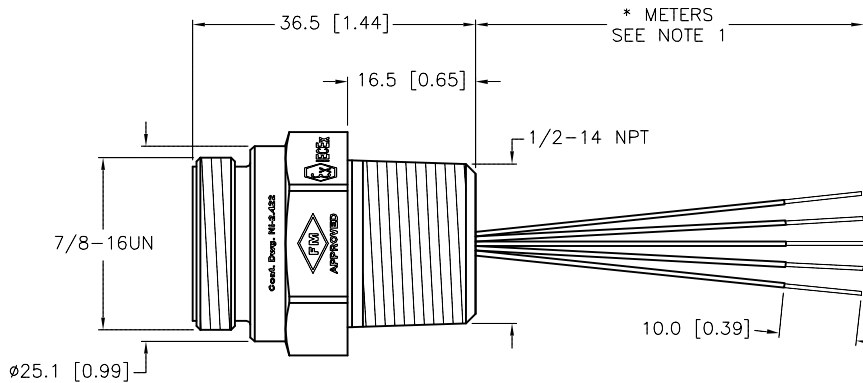
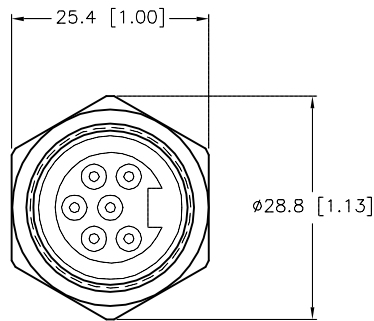


- 1 = BLUE
- 2 = BROWN
- 3 = GREEN/YELLOW
- 4 = WHITE
- 5 = BLACK
- 6 = N/C



SPECIFICATIONS

CONTACT CARRIER MATERIAL	TPV
CONTACT MATERIAL/PLATING	BRASS/GOLD
HOUSING MATERIAL/FINISH	STAINLESS STEEL/PASSIVATED
RATED CURRENT [A] (@70°C)	8.0 A
RATED VOLTAGE [V]	250 V
PROTECTION CLASS	MEETS NEMA 1,3,4,4X,6P AND IEC IP67, IP68
CONDUCTOR INSULATION MATERIAL	PVC
CONDUCTORS	5x18 AWG
CONDUCTOR TEMPERATURE RATING	-40°C to +105°C (-40°F to +221°F)
APPROVAL MARKING ON DEVICE	 FM15ATEX0066X / IECEx FMG 16.0032X II 3 G Ex nA IIC T5 Gc; II 3 G Ex ec IIC T5 Gc;  Cl I, Zn 2, AEx nA IIC T5; Cl I, Zn 2, AEx ec IIC T5; Cl I, Div 2, Grps A, B, C, D T5 Install per Turck control dwg Ni-2.422 -40°C ≤ Ta ≤ 70°C (≤ 90°C with I ≤ 600mA) PROTECTION CLASS: IP68



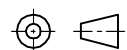
CABLE LENGTH	TOLERANCE*
ALL LENGTHS	+ 4% (OR 50mm) OF LENGTH - 0% (OR 0mm) OF LENGTH WHICHEVER IS GREATER
STRIP LENGTH	TOLERANCE*
0-7mm	±0.5mm
8-29mm	±1.0mm
30-49mm	±2.0mm
50-69mm	±3.0mm
70-100mm	±4.0mm
OVER 100mm	±5.0mm

* UNLESS OTHERWISE SPECIFIED

NOTES:

1. "*" INDICATES LEAD LENGTH IN METERS. CONTACT TURCK TO ORDER SPECIFIC LENGTHS.

SOURCE DRAWING - FOR REFERENCE ONLY

RELATED DOCUMENTS 1. 2. 3. 4.	3RD ANGLE PROJECTION 	THIS DRAWING IS CONFIDENTIAL AND THE PROPERTY OF TURCK INC. USE OF THIS DOCUMENT WITHOUT WRITTEN PERMISSION IS PROHIBITED.		3000 CAMPUS DRIVE MINNEAPOLIS, MN 55441 1-800-544-7769 (763) 553-7300 (763) 553-0708 fax www.turck.us	
		MATERIAL SEE SPECIFICATIONS	DRFT TV APVD J.B.	DATE 11/05/15 SCALE 1=1.0	DESCRIPTION P-X-RSFV 66-*/14.5/NPT
FINISH SEE SPECIFICATIONS	ALL DIMENSIONS DISPLAYED ON THIS DRAWING ARE FOR REFERENCE ONLY CONTACT TURCK FOR MORE INFORMATION	UNIT OF MEASUREMENT MILLIMETER [INCH]		IDENTIFICATION NO.	
DO NOT SCALE THIS DRAWING		FILE: 777036319		REV F	

F	PROTECTION CLASS: IP68	RDS	01/28/19	68291
REV	DESCRIPTION	BY	DATE	ECO NO.