

Your Global Automation Partner

TURCK

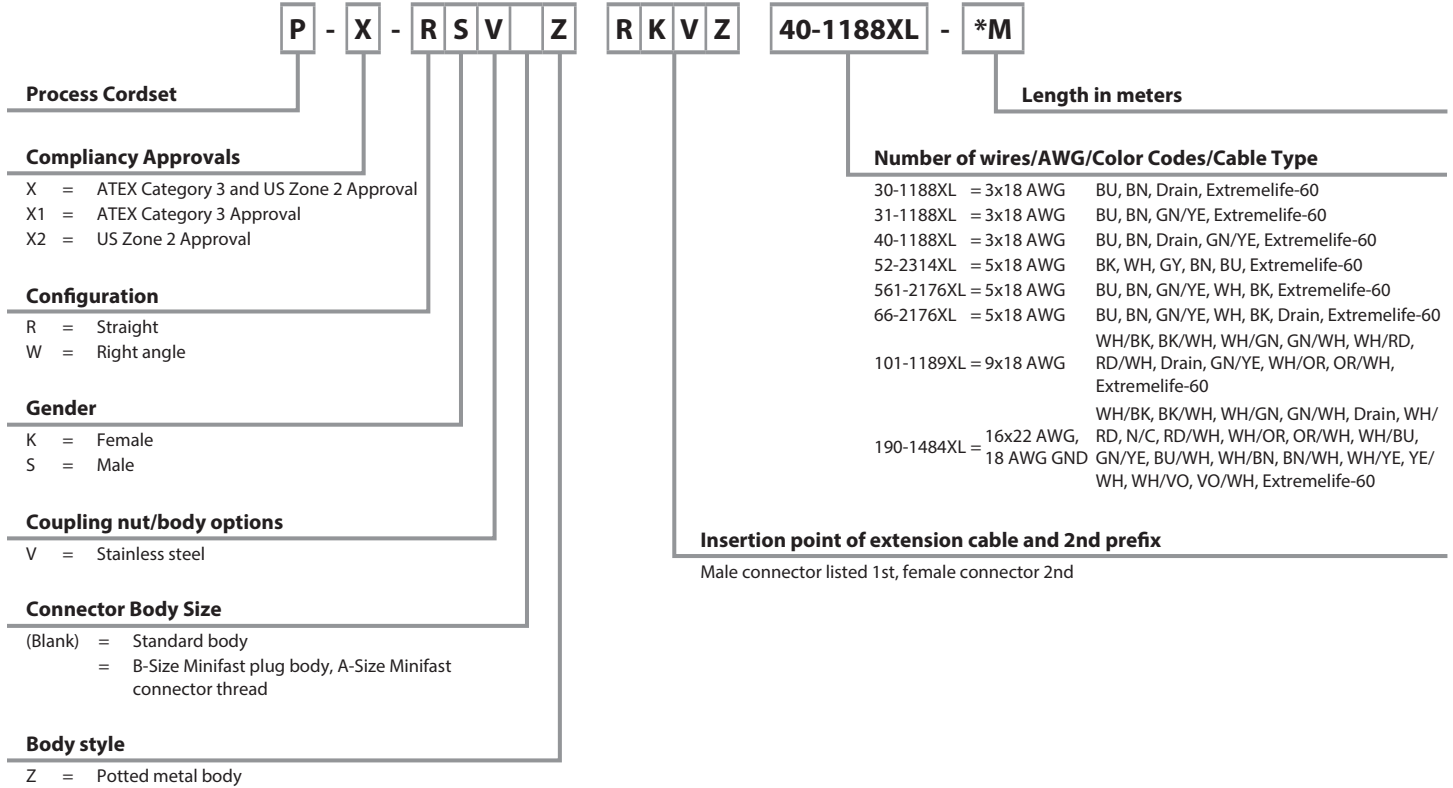
Connectivity | Process Automation
ATEX/IECEX Approved
Minifast Connectors

B2050-ATEX

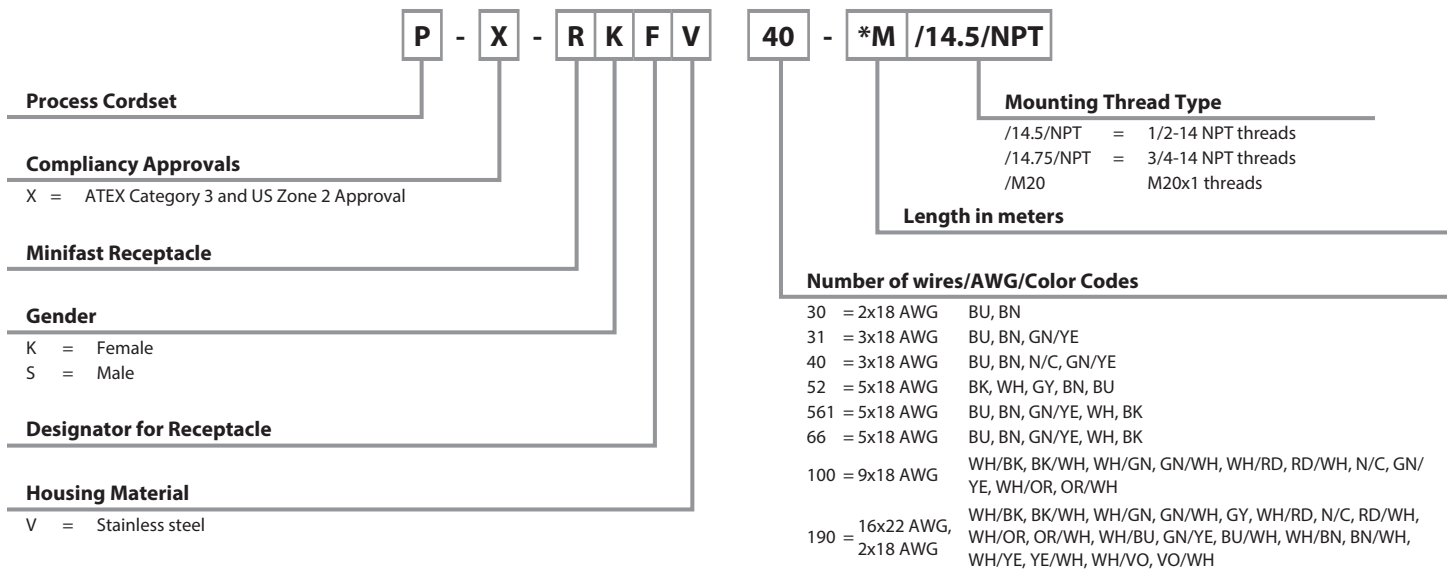
Connectivity | Process Automation

ATEX Approved Minifast HD (Heavy Duty) Cordsets Part Number Key

Part Number Keys are to assist in IDENTIFICATION ONLY. Consult factory for catalog items not identified.

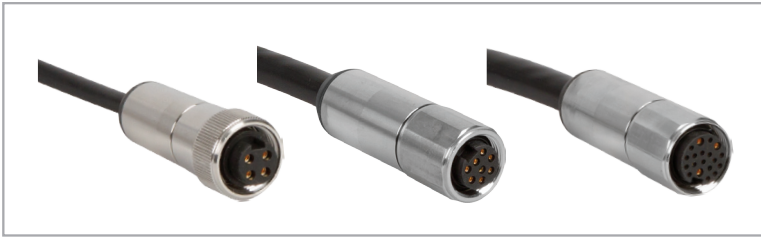


ATEX Approved Minifast Receptacles Part Number Key



Connectivity | Process Automation

ATEX Approved Minifast HD (Heavy Duty) Cordsets



Product Highlights

Approved for ATEX Category 3 hazardous locations
 Approved for US Zone 2 hazardous locations
 Electrical connection conforms to ANSI B93.55M-1981 & SAE H1738-2
 316 stainless steel body and coupling nut
 NEMA 1,3,4,6P and IEC IP67, IP68

Cable Features

Cable Jacket Material: Extremelife-60
 UL Listings: TC-ER/ITC-ER/PLTC-ER or ITC-ER/PLTC-ER
 UL/CSA Listings: CIC/TC or CIC
 Additional Approvals: -40 °C Cold Impact, -60 °C Cold Bend
 Shipboard Approvals: UL 1309 Marine Shipboard, ABS Certified, IEEE 1202/FT4, IEEE 1580
 IEC Flame Compliance: IEC 60332-3-22
 Cable Temperature Rating: -60 to +105 °C
 Oil and Sunlight Resistant

We reserve the right to make technical alterations without prior notice.

Part Number	Application	Image Reference	Pinout	Cable Specifications	Electrical Ratings	Pinout Color
P-X-RKVZ 30-1188XL-*M	2-wire + drain, female	A	1	EX60 black cable jacket, 3x18 AWG, 1 STP with GND, Foil/Drain (20), 8.5 mm OD, Cable #RF51188	8 amps, 250 volts ITC/PLTC: 5 amps, 150 volts	1.BU 2.BN 3.Drain
P-X-RSVZ 30-1188XL-*M	2-wire + drain, male	B	2			
P-X-RSVZ RKVZ 30-1188XL-*M	2-wire + drain, female to male extension	A,B	1,2			
P-X-RKVZ 31-1188XL-*M	3-wire, female	A	1	EX60 black cable jacket, 3x18 AWG, 1 STP with GND, Foil/Drain (20), 8.5 mm OD, Cable #RF51188	8 amps, 250 volts ITC/PLTC: 5 amps, 150 volts	1.BU 2.BN 3.GN/YE
P-X-RSVZ 31-1188XL-*M	3-wire, male	B	2			
P-X-RSVZ RKVZ 31-1188XL-*M	3-wire, female to male extension	A,B	1,2			
P-X-RKVZ 40-1188XL-*M	3-wire + drain, female	A	3	EX60 black cable jacket, 3x18 AWG, 1 STP with GND, Foil/Drain (20), 8.5 mm OD, Cable #RF51188	8 amps, 250 volts ITC/PLTC: 5 amps, 150 volts	1.BU 2.BN 3.Drain 4.GN/YE
P-X-RSVZ 40-1188XL-*M	3-wire + drain, male	B	4			
P-X-RSVZ RKVZ 40-1188XL-*M	3-wire + drain, female to male extension	A,B	3,4			
P-X-RKVZ 52-2314XL-*M	5-wire, female	A	5	EX60 black cable jacket, 5x18 AWG, 10.0 mm OD, Cable #RF52314	8 amps, 250 volts ITC/PLTC: 5 amps, 150 volts	1.BK 2.WH 3.GY 4.BN 5.BU
P-X-RSVZ 52-2314XL-*M	5-wire, male	B	6			
P-X-RSVZ RKVZ 52-2314XL-*M	5-wire, female to male extension	A,B	5,6			
P-X-RKVZ 561-2176XL-*M	5-wire, female	A	5	EX60 black cable jacket, 5x18 AWG, 10.4 mm OD, Cable #RF52176	8 amps, 250 volts ITC/PLTC: 5 amps, 150 volts	1.BU 2.BN 3.GN/YE 4.WH 5.BK
P-X-RSVZ 561-2176XL-*M	5-wire, male	B	6			
P-X-RSVZ RKVZ 561-2176XL-*M	5-wire, female to male extension	A,B	5,6			
P-X-RKVZ 66-2176XL-*M	5-wire + drain, female	A	7	EX60 black cable jacket, 5x18 AWG, 2 STP with GND, Foil/Drain (20), 10.4 mm OD, Cable #RF52176	8 amps, 250 volts ITC/PLTC: 5 amps, 150 volts	1.BU 2.BN 3.GN/YE 4.WH 5.BK 6.Drain
P-X-RSVZ 66-2176XL-*M	5-wire + drain, male	B	8			
P-X-RSVZ RKVZ 66-2176XL-*M	5-wire + drain, female to male extension	A,B	7,8			
P-X-RKVZ 101-1189XL-*M	9-wire + drain, female	C	9	EX60 black cable jacket, 9x18 AWG, 4 STP with GND, Foil/Drain (20), 13.2 mm OD, Cable #RF51189	7 amps, 250 volts ITC/PLTC: 5 amps, 150 volts	1.WH/BK 2.BK/WH 3.WH/GN 4.GN/WH 5.WH/RD 6.RD/WH 7.Drain 8.GN/YE 9.WH/OR 10.OR/WH
P-X-RSVZ 101-1189XL-*M	9-wire + drain, male	D	10			
P-X-RSVZ RKVZ 101-1189XL-*M	9-wire + drain, female to male extension	C,D	9,10			

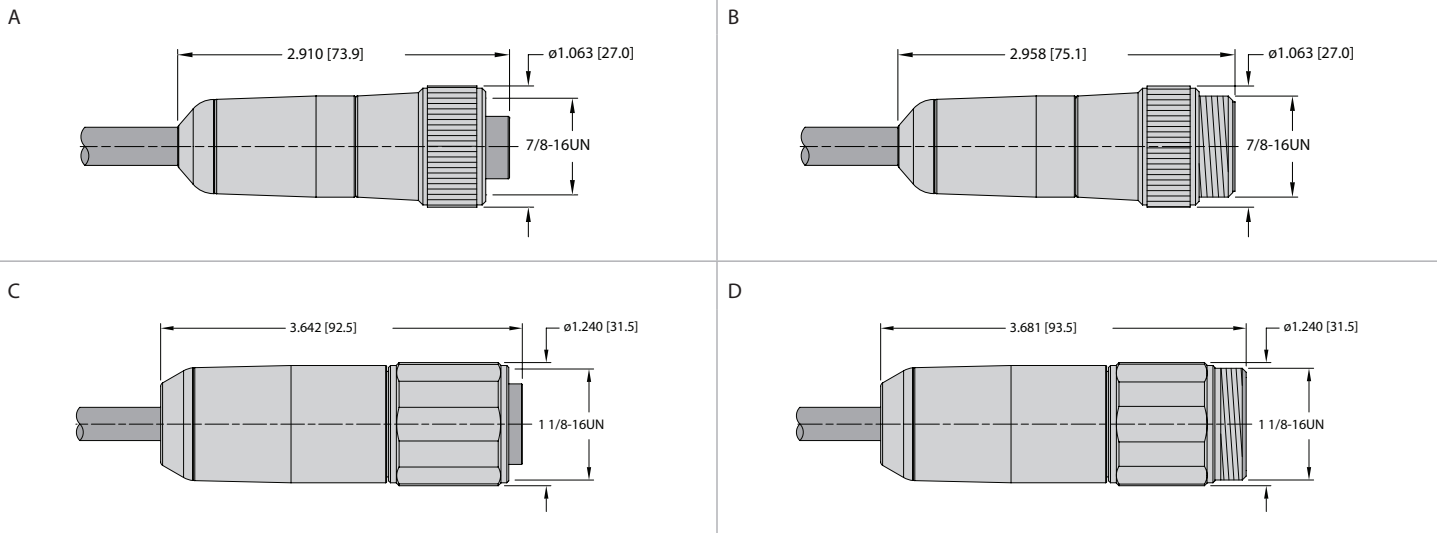
* Length in meters. Standard cable lengths are 2, 4, 6, 8 and 10 meters. Consult factory for other lengths.
 See Turck control drawing Ni-2.422 for guidance on installation in hazardous locations.
 Use with Lockfast guards for approved installation in hazardous locations (see pg. 11 for available Lockfast guards).

Connectivity | Process Automation

ATEX Approved Minifast HD (Heavy Duty) Cordsets (continued)

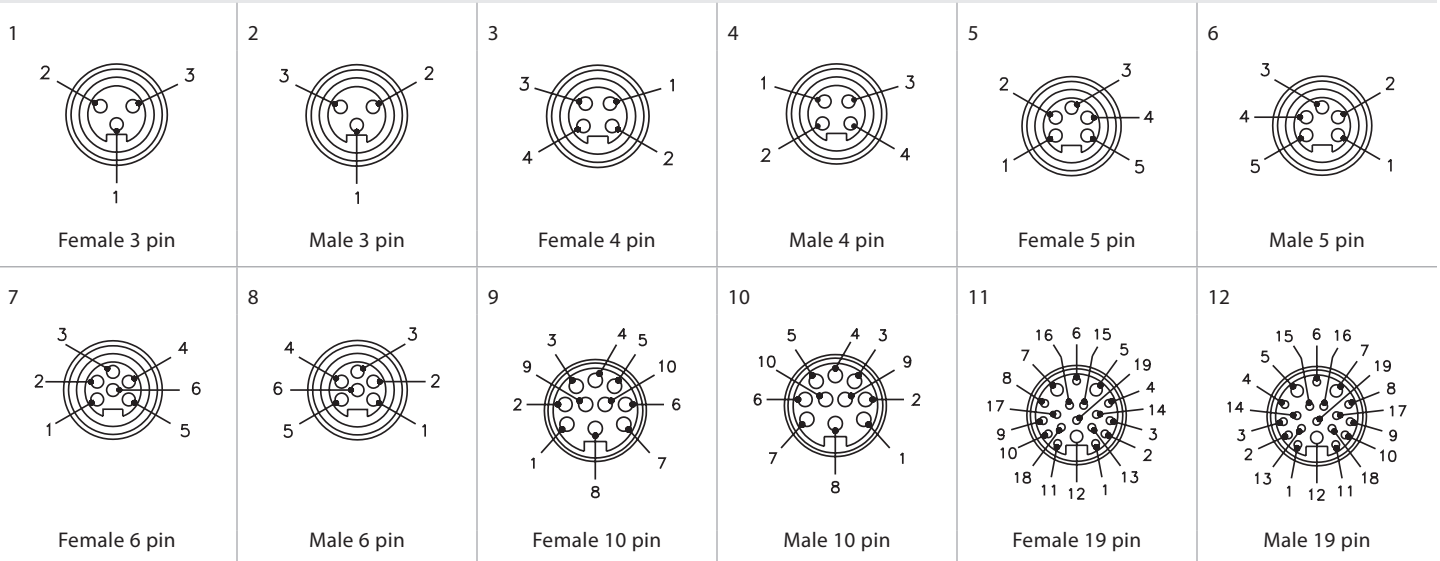
Part Number	Application	Image Reference	Pinout	Cable Specifications	Electrical Ratings	Pinout Color
P-X-RKVZ 190-1484XL-*M	17-wire + drain, female	C	11	EX60 black cable jacket, 16X22 AWG, 18 AWG GND, 8 STP, Foil/Drain (22), 13.7 mm OD, Cable #RF51484	2 amps, 150 volts ITC/PLTC: 2 amps, 150 volts	1.WH/BK 11.WH/BU
P-X-RSVZ 190-1484XL-*M	17-wire + drain, male	D	12			2.BK/WH 12.GN/YE
P-X-RSVZ RKVZ 190-1484XL-*M	17-wire + drain, female to male extension	C,D	11,12			3.WH/GN 13.BU/WH
						4.GN/WH 14.WH/BN
						5.Drain 15.BN/WH
						6.WH/RD 16.WH/YE
						7.N/C 17.YE/WH
						8.RD/WH 18.WH/VO
						9.WH/OR 19.VO/WH
						10.OR/WH

Dimension Drawings



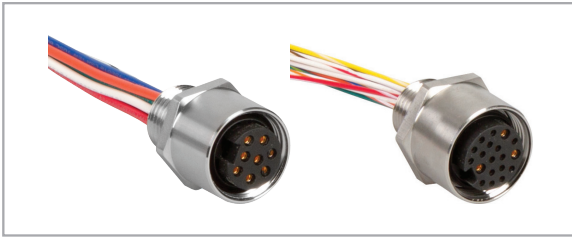
We reserve the right to make technical alterations without prior notice.

Pinouts



Connectivity | Process Automation

ATEX Approved Minifast Receptacles



Product Highlights

- Approved for ATEX Category 3 hazardous locations
- Approved for US Zone 2 hazardous locations
- Electrical connection conforms to ANSI B93.55M-1981 & SAE H1738-2
- 316 stainless steel receptacle housings
- NEMA 1,3,4,6P and IEC IP67, IP68

Wire Features

Wire Jacket Material: PVC
 Wire Temperature Rating: -40 to 105 °C

We reserve the right to make technical alterations without prior notice.

Part Number	Application	Image Reference	Pinout	Wire Specifications	Electrical Ratings	Pinout Color
P-X-RKFV 30-*/14.5/NPT	2-wire, female, 1/2" NPT mounting	A	1	2x18 AWG, UL, CSA	8 amps, 250 volts ITC/PLTC: 5 amps, 150 volts	1.BU 2.BN 3.N/C
P-X-RKFV 30-*/14.75/NPT	2-wire, female, 3/4" NPT mounting	B				
P-X-RKFV 30-*/M20	2-wire, female, M20 mounting	C				
P-X-RSFV 30-*/14.5/NPT	2-wire, male, 1/2" NPT mounting	D	2			
P-X-RSFV 30-*/14.75/NPT	2-wire, male, 3/4" NPT mounting	E				
P-X-RSFV 30-*/M20	2-wire, male, M20 mounting	F				
P-X-RKFV 31-*/14.5/NPT	3-wire, female, 1/2" NPT mounting	A	1	3x18 AWG, UL, CSA	8 amps, 250 volts ITC/PLTC: 5 amps, 150 volts	1.BU 2.BN 3.GN/YE
P-X-RKFV 31-*/14.75/NPT	3-wire, female, 3/4" NPT mounting	B				
P-X-RKFV 31-*/M20	3-wire, female, M20 mounting	C				
P-X-RSFV 31-*/14.5/NPT	3-wire, male, 1/2" NPT mounting	D	2			
P-X-RSFV 31-*/14.75/NPT	3-wire, male, 3/4" NPT mounting	E				
P-X-RSFV 31-*/M20	3-wire, male, M20 mounting	F				
P-X-RKFV 40-*/14.5/NPT	3-wire, female, 1/2" NPT mounting	A	3	3x18 AWG, UL, CSA	8 amps, 250 volts ITC/PLTC: 5 amps, 150 volts	1.BU 2.BN 3.N/C 4.GN/YE
P-X-RKFV 40-*/14.75/NPT	3-wire, female, 3/4" NPT mounting	B				
P-X-RKFV 40-*/M20	3-wire, female, M20 mounting	C				
P-X-RSFV 40-*/14.5/NPT	3-wire, male, 1/2" NPT mounting	D	4			
P-X-RSFV 40-*/14.75/NPT	3-wire, male, 3/4" NPT mounting	E				
P-X-RSFV 40-*/M20	3-wire, male, M20 mounting	F				

* Length in meters. Standard lead length is 0.3 meters. Consult factory for other lengths.
 See Turck control drawing Ni-2.422 for guidance on installation in hazardous locations.
 Use with Lockfast guards for approved installation in hazardous locations (see pg. 11 for available Lockfast guards).

Connectivity | Process Automation

ATEX Approved Minifast Receptacles (continued)

Part Number	Application	Image Reference	Pinout	Wire Specifications	Electrical Ratings	Pinout Color
P-X-RKFV 52-*/14.5/NPT	5-wire, female, 1/2" NPT mounting	A	5	5x18 AWG, UL, CSA	8 amps, 250 volts ITC/PLTC: 5 amps, 150 volts	1.BK 2.WH 3.GY 4.BN 5.BU
P-X-RKFV 52-*/14.75/NPT	5-wire, female, 3/4" NPT mounting	B				
P-X-RKFV 52-*/M20	5-wire, female, M20 mounting	C				
P-X-RSFV 52-*/14.5/NPT	5-wire, male, 1/2" NPT mounting	D	6			
P-X-RSFV 52-*/14.75/NPT	5-wire, male, 3/4" NPT mounting	E				
P-X-RSFV 52-*/M20	5-wire, male, M20 mounting	F				
P-X-RKFV 561-*/14.5/NPT	5-wire, female, 1/2" NPT mounting	A	5	5x18 AWG, UL, CSA	8 amps, 250 volts ITC/PLTC: 5 amps, 150 volts	1.BU 2.BN 3.GN/YE 4.WH 5.BK
P-X-RKFV 561-*/14.75/NPT	5-wire, female, 3/4" NPT mounting	B				
P-X-RKFV 561-*/M20	5-wire, female, M20 mounting	C				
P-X-RSFV 561-*/14.5/NPT	5-wire, male, 1/2" NPT mounting	D	6			
P-X-RSFV 561-*/14.75/NPT	5-wire, male, 3/4" NPT mounting	E				
P-X-RSFV 561-*/M20	5-wire, male, M20 mounting	F				
P-X-RKFV 66-*/14.5/NPT	5-wire, female, 1/2" NPT mounting	A	7	5x18 AWG, UL, CSA	8 amps, 250 volts ITC/PLTC: 5 amps, 150 volts	1.BU 2.BN 3.GN/YE 4.WH 5.BK 6.N/C
P-X-RKFV 66-*/14.75/NPT	5-wire, female, 3/4" NPT mounting	B				
P-X-RKFV 66-*/M20	5-wire, female, M20 mounting	C				
P-X-RSFV 66-*/14.5/NPT	5-wire, male, 1/2" NPT mounting	D	8			
P-X-RSFV 66-*/14.75/NPT	5-wire, male, 3/4" NPT mounting	E				
P-X-RSFV 66-*/M20	5-wire, male, M20 mounting	F				
P-X-RKFV 100-*/14.5/NPT	9-wire, female, 1/2" NPT mounting	G	9	9x18 AWG, UL, CSA	7 amps, 250 volts ITC/PLTC: 5 amps, 150 volts	1.WH/BK 6.RD/WH 2.BK/WH 7.N/C 3.WH/GN 8.GN/YE 4.GN/WH 9.WH/OR 5.WH/RD 10.OR/WH
P-X-RKFV 100-*/14.75/NPT	9-wire, female, 3/4" NPT mounting	H				
P-X-RKFV 100-*/M20	9-wire, female, M20 mounting	I				
P-X-RSFV 100-*/14.5/NPT	9-wire, male, 1/2" NPT mounting	J	10			
P-X-RSFV 100-*/14.75/NPT	9-wire, male, 3/4" NPT mounting	K				
P-X-RSFV 100-*/M20	9-wire, male, M20 mounting	L				

We reserve the right to make technical alterations without prior notice.

* Length in meters. Standard lead length is 0.3 meters. Consult factory for other lengths.
See Turck control drawing Ni-2.422 for guidance on installation in hazardous locations.
Use with Lockfast guards for approved installation in hazardous locations (see pg. 11 for available Lockfast guards).

Connectivity | Process Automation

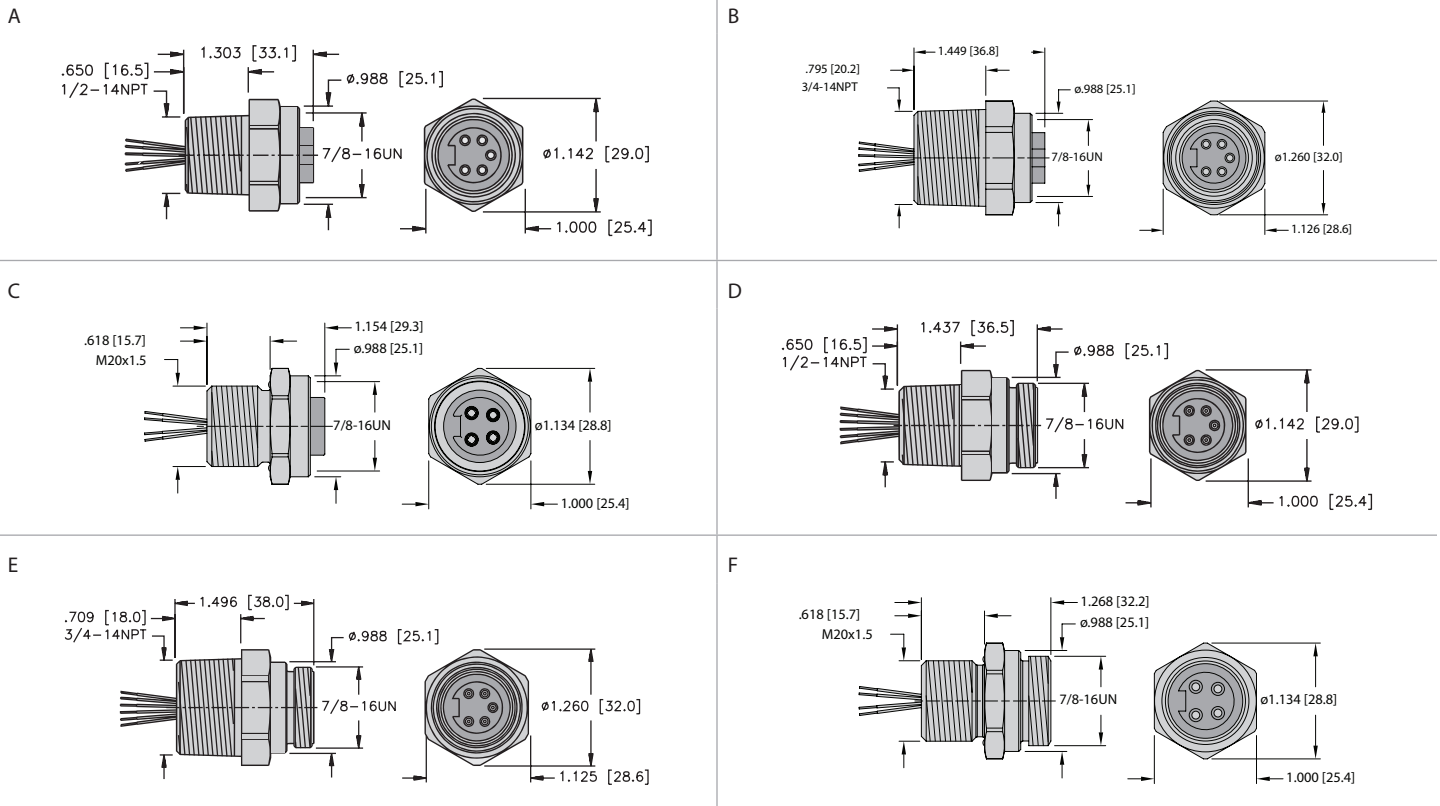
ATEX Approved Minifast Receptacles (continued)

Part Number	Application	Image Reference	Pinout	Wire Specifications	Electrical Ratings	Pinout Color
P-X-RKFV 190-*/14.5/NPT	18-wire, female, 1/2" NPT mounting	G	11	16x22, 2x18 AWG, UL, CSA	2 amps, 150 volts ITC/PLTC: 2 amps, 150 volts	1.WH/BK 11.WH/BU 2.BK/WH 12.GN/YE 3.WH/GN 13.BU/WH 4.GN/WH 14.WH/BN 5.GY 15.BN/WH 6.WH/RD 16.WH/YE 7.N/C 17.YE/WH 8.RD/WH 18.WH/VO 9.WH/OR 19.VO/WH 10.OR/WH
P-X-RKFV 190-*/14.75/NPT	18-wire, female, 3/4" NPT mounting	H				
P-X-RKFV 190-*/M20	18-wire, female, M20 mounting	I				
P-X-RSFV 190-*/14.5/NPT	18-wire, male, 1/2" NPT mounting	J	12			
P-X-RSFV 190-*/14.75/NPT	18-wire, male, 3/4" NPT mounting	K				
P-X-RSFV 190-*/M20	18-wire, male, M20 mounting	L				

* Length in meters. Standard lead length is 0.3 meters. Consult factory for other lengths.
 See Turck control drawing Ni-2.422 for guidance on installation in hazardous locations.
 Use with Lockfast guards for approved installation in hazardous locations (see pg. 11 for available Lockfast guards).

We reserve the right to make technical alterations without prior notice.

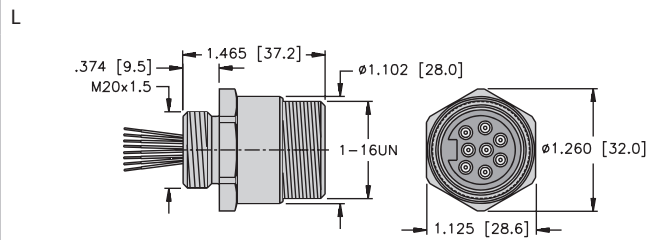
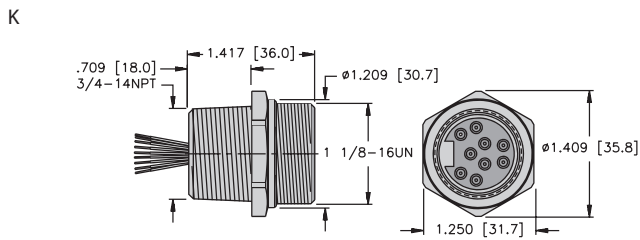
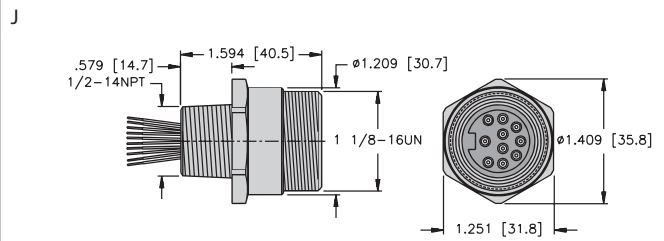
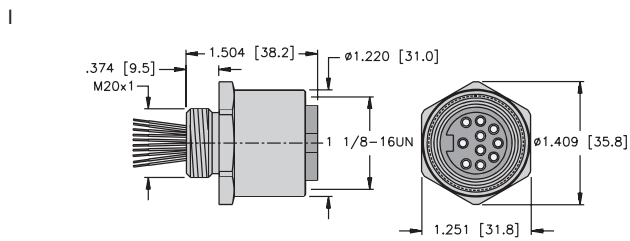
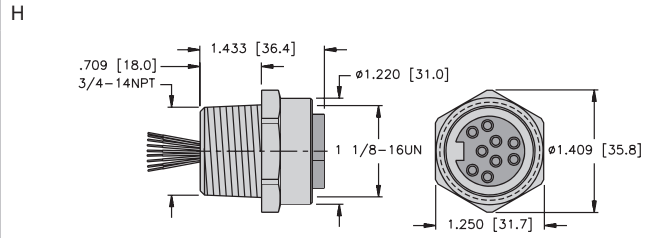
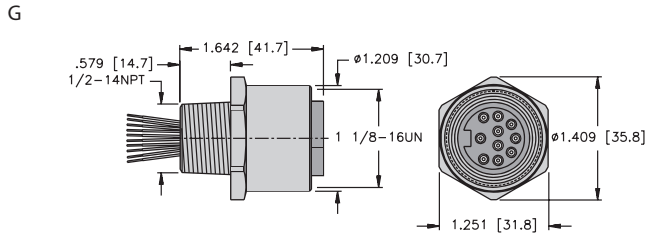
Dimension Drawings



Connectivity | Process Automation

ATEX Approved Minifast Receptacles

Dimension Drawings (continued)



We reserve the right to make technical alterations without prior notice.

Pinouts

<p>1</p> <p>Female 3 pin</p>	<p>2</p> <p>Male 3 pin</p>	<p>3</p> <p>Female 4 pin</p>	<p>4</p> <p>Male 4 pin</p>	<p>5</p> <p>Female 5 pin</p>	<p>6</p> <p>Male 5 pin</p>
<p>7</p> <p>Female 6 pin</p>	<p>8</p> <p>Male 6 pin</p>	<p>9</p> <p>Female 10 pin</p>	<p>10</p> <p>Male 10 pin</p>	<p>11</p> <p>Female 19 pin</p>	<p>12</p> <p>Male 19 pin</p>

Connectivity | Process Automation

ATEX Approved Minifast Junction Boxes

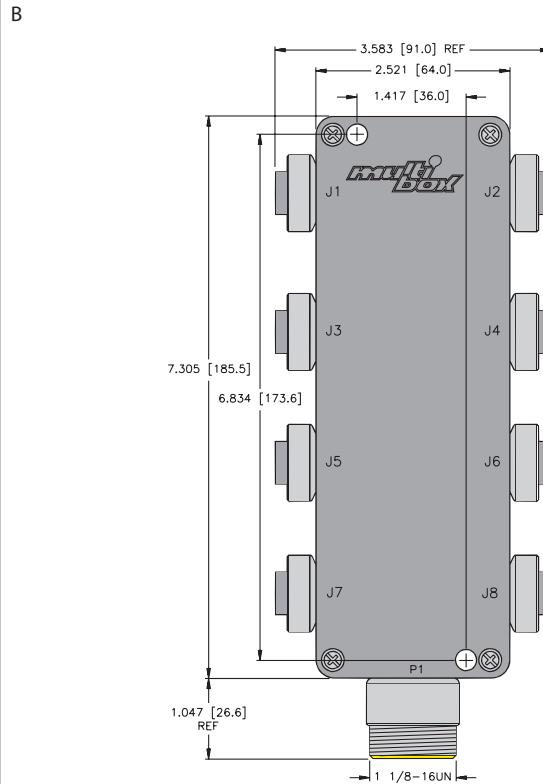
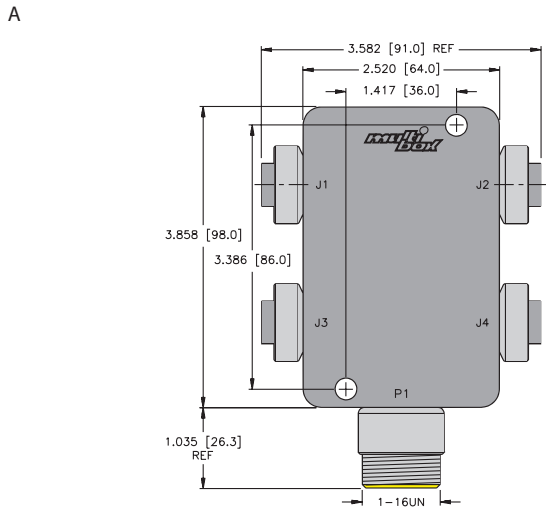


- Product Highlights**
- Approved for ATEX Category 3 hazardous locations
 - Approved for US Zone 2 hazardous locations
 - Simplifies wiring installations
 - Cast aluminum box with black powder coat
 - 316 stainless steel connector housings
 - Electrical connection conforms to ANSI B93.55M-1981 & SAE H1738-2

Part Number	Application	Image Reference	Wiring	Connectors	Electrical Ratings
P-X-4 RKFV 40-RSFV100	4-port, 1 analog signal per port	A	1	Port connectors: 4-pin 7/8" Minifast Homerun connector: 10-pin 1 1/8" Minifast	7 amps per port, 8 amps total
P-X-8 RKFV 40-RSFV190	8-port, 1 analog signal per port	B	2	Port connectors: 4-pin 7/8" Minifast Homerun connector: 19-pin 1 1/8" Minifast	2 amps per port, 8 amps total

See Turck control drawing Ni-2.422 for guidance on installation in hazardous locations.
Use with Lockfast guards for approved installation in hazardous locations (see pg. 11 for available Lockfast guards).

Dimension Drawings



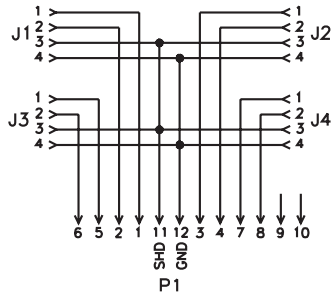
We reserve the right to make technical alterations without prior notice.

Connectivity | Process Automation

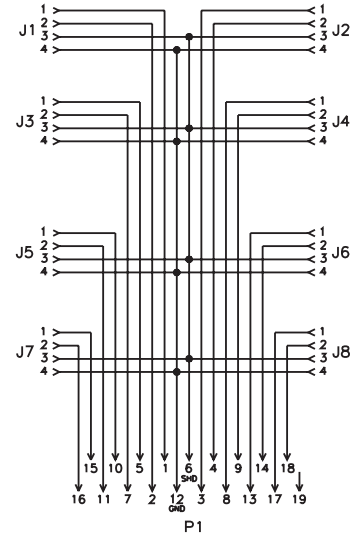
ATEX Approved Minifast Junction Boxes

Wiring Diagrams

1



2



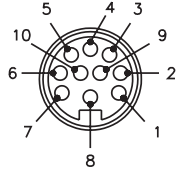
Pinouts

Port connector



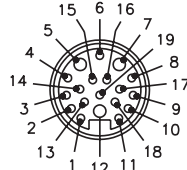
Female 4 pin

4-port homerun connector



Male 10 pin

8-port homerun connector



Male 19 pin

We reserve the right to make technical alterations without prior notice.

Connectivity | Process Automation

ATEX Approved Minifast Lockfast Guards



Product Highlights
 Required for ATEX Category 3 hazardous locations
 Required for US Zone 2 hazardous locations
 Tool removable nylon locking guard
 Lanyard tether eyelet

Part Number	Application
LOCK-MINI	Locking guard for straight A-Size (7/8") Minifast HD metal body connectors
LOCK,MINI,B&C	Locking guard for straight B-Size (1") and C-Size (1 1/8") Minifast HD metal body connectors

See Turck control drawing Ni-2.422 for guidance on installation in hazardous locations.

TURCK



28 subsidiaries and over
60 representations worldwide!

Printed in USA

©2017 by Turck Inc. All rights reserved. No part of the
publication may be reproduced without written permission.

B2050 A 04/17

www.turck.com