

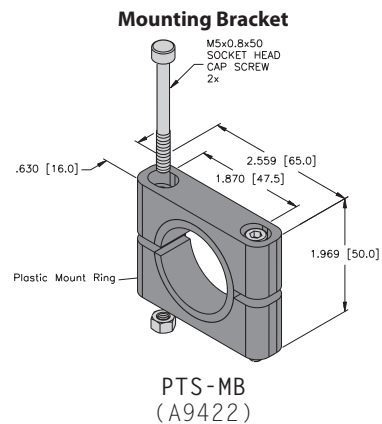
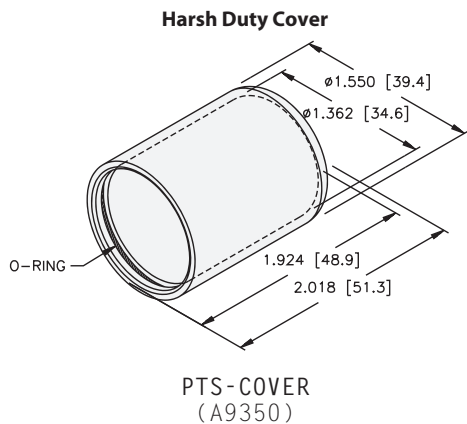


Thermowells

Housing Style	Part Number	ID Number	Process Connection	Length (mm)	Compatible Probe Diameter	Pressure Rating (psi)
Thermowell, 1/2" Male NPT 	THW-6-N1/2-A4-L050	M9910463	1/2" NPT	50	6 mm	5800
	THW-6-N1/2-A4-L100	M9910464	1/2" NPT	100	6 mm	5800
	THW-6-N1/2-A4-L150	M9910465	1/2" NPT	150	6 mm	5800
	THW-6-N1/2-A4-L250	M9910466	1/2" NPT	250	6 mm	5800
Thermowell, 3/4" Tri-Clamp 	THW-6-TRI3/4-A4-L050	M9910467	3/4" Tri-Clamp	50	6 mm	580

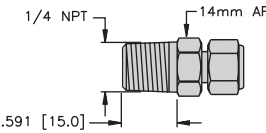
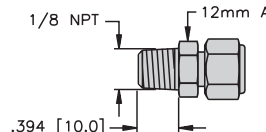
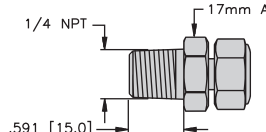
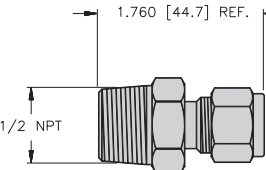
Note: Material is AISI 316L/1.4404

Accessories





Compression Fittings

Housing Style	Part Number	ID Number	Compatible Probe Diameter	Compression Fitting	Temperature Range	Pressure Rating (psi)
Compression Fitting, 1/4" Male NPT 	CF-M-3-N1/4-A4	M9910408	3 mm	Metal	350°C (662°F)	580
	CF-P-3-N1/4-A4	M9910412	3 mm	PTFE	100°C (212°F)	87
Compression Fitting, 1/8" Male NPT 	CF-M-3-N1/8-A4	M9910406	3 mm	Metal	350°C (662°F)	580
	CF-P-3-N1/8-A4	M9910410	3 mm	PTFE	100°C (212°F)	87
Compression Fitting, 1/4" Male NPT 	CF-M-6-N1/4-A4	M9910484	6 mm	Metal	350°C (662°F)	580
	CF-P-6-N1/4-A4	M9910486	6 mm	PTFE	100°C (212°F)	87
Compression Fitting, 1/2" Male NPT 	CF-M-6-N1/2-A4	A0950	6 mm	Metal	350°C (662°F)	580

TEMPERATURE

Note: Material is AISI 316L/1.4404