

# Temperature

## Bi-Metallic Switch

## Series ML1S

### Features

- ▶ Bi-metallic sensor
- ▶ Compact design
- ▶ NEMA 4
- ▶ One piece design

### Applications

- ▶ Air compressors
- ▶ Medical compressors
- ▶ Process equipment
- ▶ Water treatment
- ▶ Mining
- ▶ Machine tools and industrial equipment



### General Specifications\*

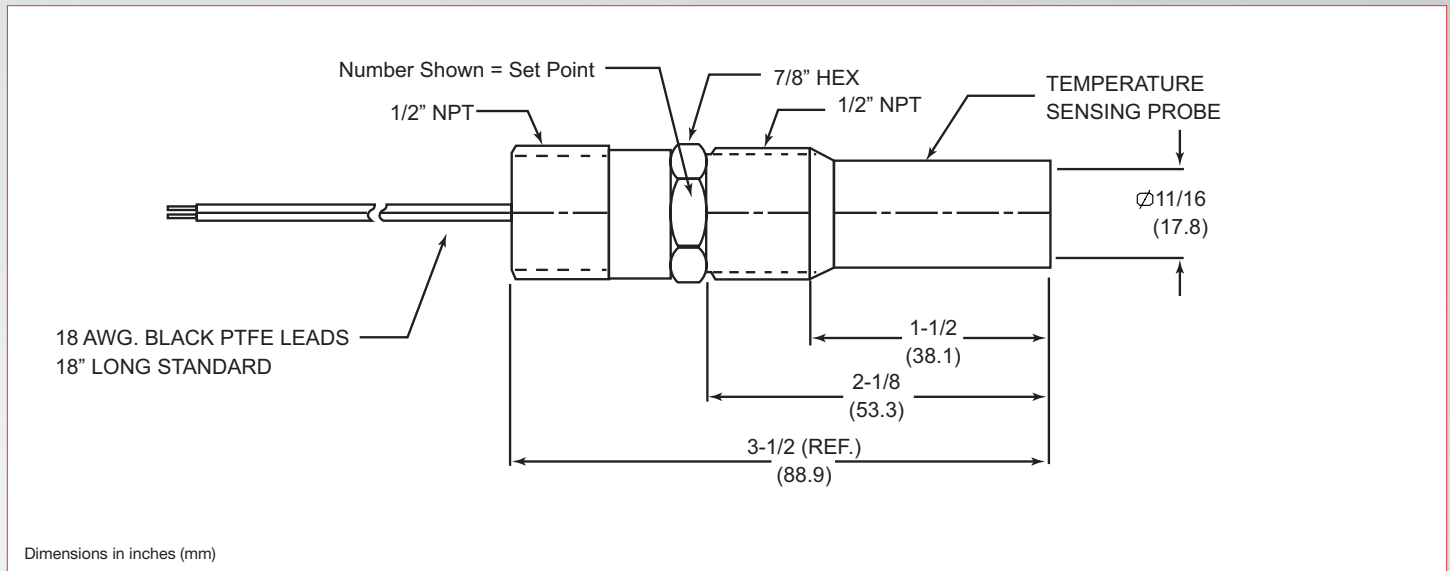
<b>Accuracy:</b>	See adjacent table
<b>Switch:</b>	SPST-NO or SPST-NC
<b>Wetted Parts:</b>	Brass
<b>Electrical Connection:</b>	18", 18 AWG PTFE free leads
<b>Electrical Ratings:</b>	15A @ 125 Vac; 10A @ 250 Vac
<b>Enclosure/Housing</b>	NEMA 4
<b>Process Connection:</b>	1/2" NPT
<b>Conduit Connection:</b>	1/2" NPT
<b>Proof Pressure:</b>	500 psi
<b>Cycle Life:</b>	100,000 cycles
<b>Approvals:</b>	CE qualified UL and CSA (cURus)
<b>Temperature Range:</b>	50°F - 300°F
<b>Proof Temperature:</b>	340°F
<b>Warranty:</b>	1 year
<b>Weight:</b>	0.15 lb.

Catalog Number	Set Point	Accuracy	Differential (Fixed) <sup>1</sup>
ML1S-50-I-C	50°F (Inc.)	± 10°F	27°F (15°C)
ML1S-70-I-C	70°F (Inc.)	± 10°F	27°F (15°C)
ML1S-75-I-C	75°F (Inc.)	± 10°F	27°F (15°C)
ML1S-125-I-C	125°F (Inc.)	± 10°F	18°F (10°C)
ML1S-130-I-C	130°F (Inc.)	± 10°F	18°F (10°C)
ML1S-165-I-C	165°F (Inc.)	± 10°F	18°F (10°C)
ML1S-200-I-C	200°F (Inc.)	± 10°F	18°F (10°C)
ML1S-235-I-C	235°F (Inc.)	± 10°F	18°F (10°C)
ML1S-275-I-C	275°F (Inc.)	± 10°F	27°F (15°C)
ML1S-300-I-C	300°F (Inc.)	± 13°F	36°F (20°C)
ML1S-75-D-C	75°F (Dec.)	± 10°F	27°F (15°C)
ML1S-130-D-C	130°F (Dec.)	± 10°F	18°F (10°C)
ML1S-200-D-C	200°F (Dec.)	± 10°F	18°F (10°C)

<sup>1</sup> Differential depends on service conditions and test methods

\* See product configurator for additional options.

## Technical Drawing



## Product Configurator

Example	ML	1	S	-130	-I	-C	-W36
---------	----	---	---	------	----	----	------

### Prefix

ML Miniature local thermowell

### Switch

1 Single SPST switch point

### Housing

S Stripped model

### Setpoint\*

-50	50°F setpoint
-70	70°F setpoint
-75	75°F setpoint
-125	125°F setpoint
-130	130°F setpoint
-165	165°F setpoint
-200	200°F setpoint
-235	235°F setpoint
-275	275°F setpoint
-300	300°F setpoint

### Set Point Direction

-D	Decreasing (falling) temperature
-I	Increasing (rising) temperature

### Option

-WXXX Extra wire length  
(XXX = inches)

### Contact Form

-O	Normally open
-C	Normally closed

### \* NOTE:

Consult factory for ranges not listed.

Minimum order quantity - 20 pieces for non-standard ranges.

Ranges specified in 5° increments. Example: -250 = 250°F