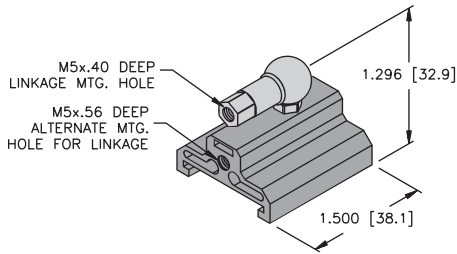


Profile Series Accessories

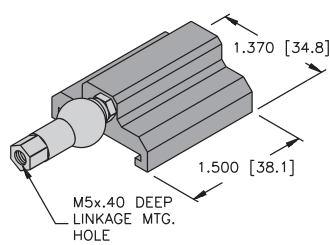
Slide Magnet

SM-Q21



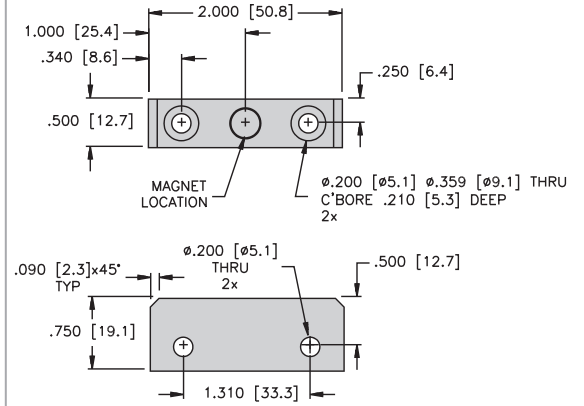
Slide Magnet with Side Adapter

SA-Q21



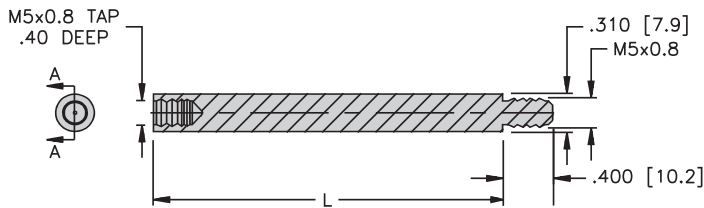
Floating Magnet

FM-Q21



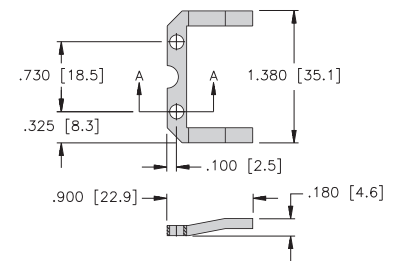
Control Arms

CA*E-Q21



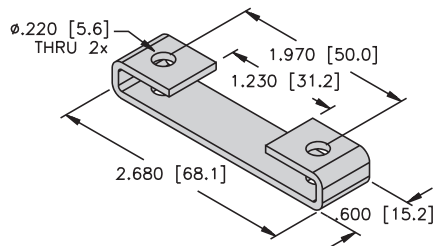
Q21 Upside Down Brackets

UB-Q21 (2/bag)



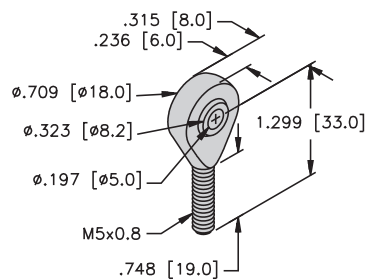
Q21 Mounting Brackets

MB-Q21



Rod Ends

RE-Q21



RBVA-M5

Angle Joint for M5 Thread, Stainless Steel



ABVA-M5

Angle Joint for M5 Thread, Stainless Steel

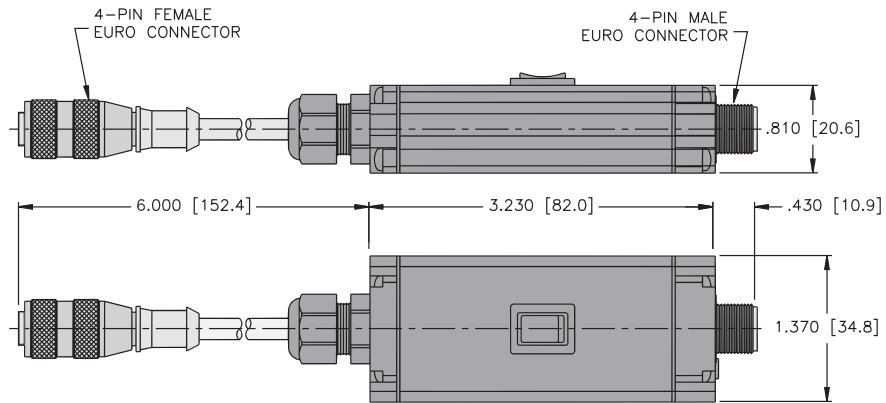


* Length in inches.

Profile Series Accessories

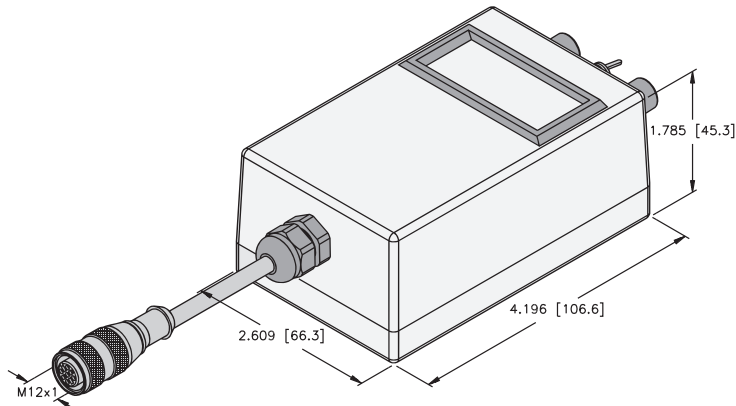
Rocker Programmer

RP-Q21



Test and Programming Device

TB2-LDT (voltage)
TB2-LDT-LI (current)



Lock-Euro-G

Required for use with a Q21 to maintain FM approval in a Class I, Div 2 environment



Wiring Diagram

