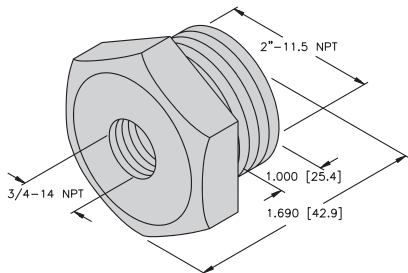


Level Sensors - R16 Probe

Level Probe Accessories

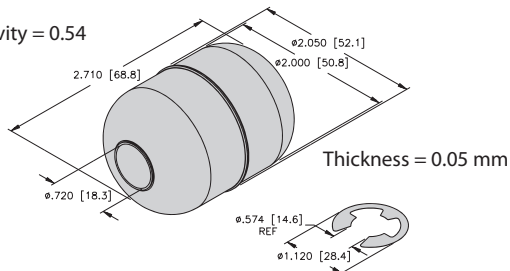
Bushing (316 Stainless Steel)



BU-R16-2x3/4 NPT-SS (LT0306)

Float Kit (316 Stainless Steel) General Applications

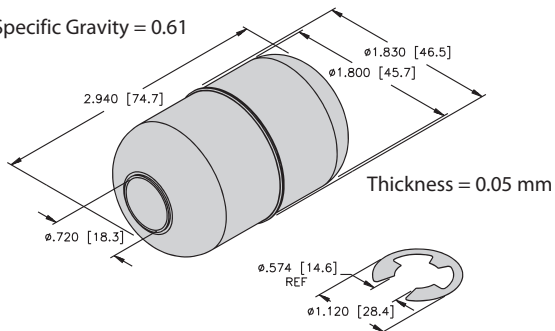
Specific Gravity = 0.54



FK-R16-205-SSES (LT0299)

Float Kit (316 Stainless Steel) General Applications

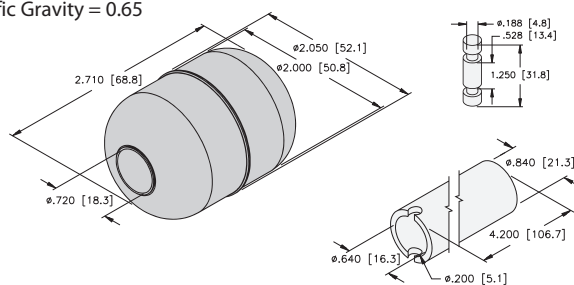
Specific Gravity = 0.61



FK-R16-183-SSES (LT0296)

Float Kit (Nickel Impregnated Teflon) Acidic Applications - Consult Factory

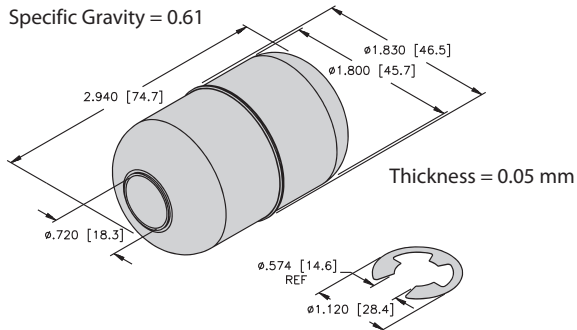
Specific Gravity = 0.65



FK-R16-205-NCS-6 (LT0571)

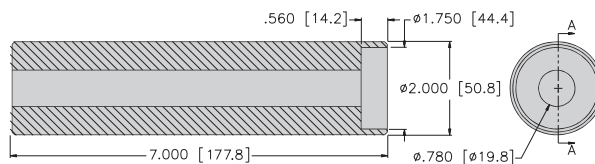
Float Kit (316 Polished Stainless Steel) Food Grade and Sanitary Applications

Specific Gravity = 0.61



FK-R16-183-SSFE (LT0302)

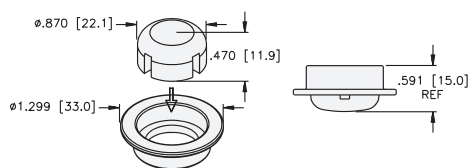
Weight Kit (316 Stainless Steel)



For use on PVDF probes 145-288 inches long.

WK-R16 (LT0295)

Probe Foot (ECTFE)



PF-R16
(LT0292)

R16 LEVEL