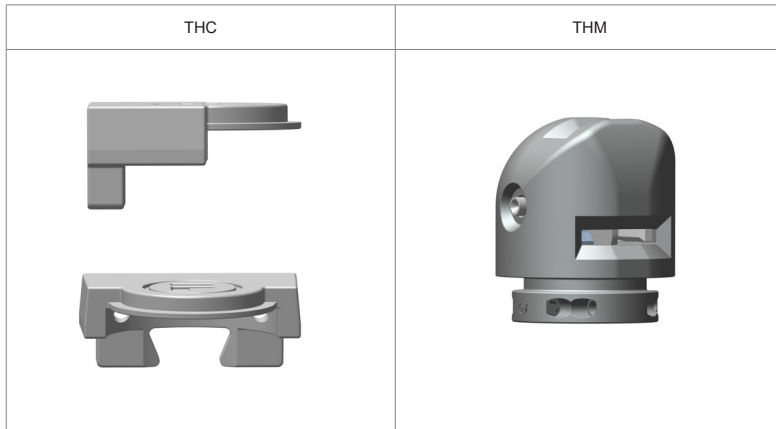


Head Elements



**Cap Element - THC**

Used to terminate all non door lock or gate switch configurations. Used in mechanical exchange box, machine control or key switch configurations.

**Actuator Head Element - THM**

Ideally suited for authorised access only, or linked access to other machinery.

- 5 orientations (left, right, front, back and top).
- Can be used to lock door when used with keys or solenoid or just as driver for safety switches.

Safety Data	
Standards	EN13849-1:2008 EN13849-2:2012 EN62061:2005 EN14119:2013
Certifications	CE marked for all applicable directives
Category	Cat. 3, PLd (EN/ISO 13849-1) and SIL2 (EN/IEC 62061) Can be used as part of a PLe / Cat. 4 / SIL3 system
Functional Safety Data	B10d (for whole tGard device, which will contain multiple elements) 5,000,000

Technical Specification	
Housing Materials	Painted die cast aluminium
Colour	Dark Grey
Ingress Protection	IP65*
Operating Force	5N to 10N
Retention Force Locked	2500N
Mechanical Life	1,000,000 Operations
Maximum Frequency of Ops	1 per second
Ambient Temperature	0°C to +60°C (32°F to 140°F)
Environment	Indoor use only
Min hinged door radius	150mm (using TAH actuator handle)

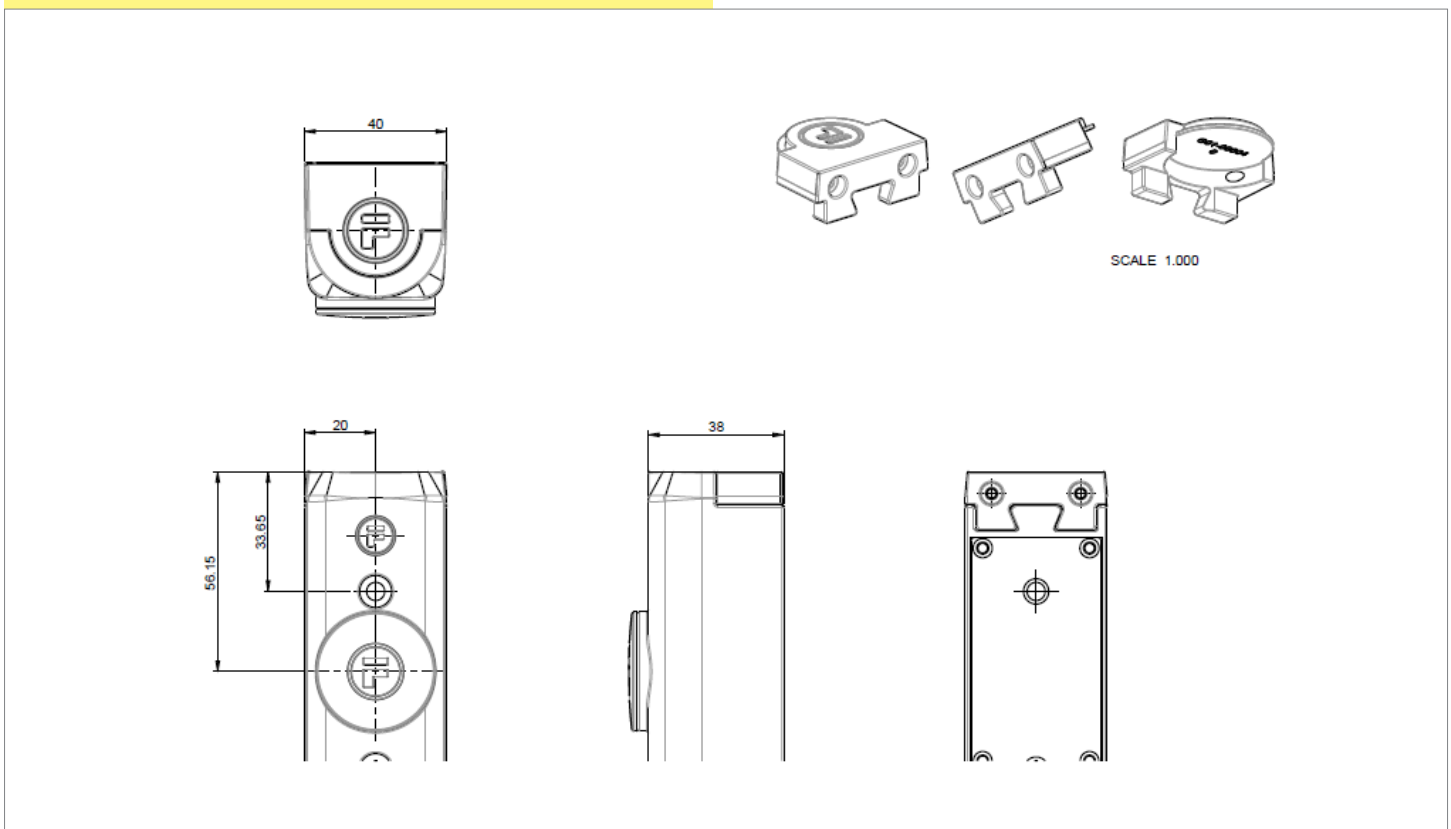
Head Module Part Number Options	
Part Number	Description
THC	Cap only
THM	Head only

Head + Actuator Combined Part Number Options	
Part Numbers	Description
THM + TAF = THF	Head module including fixed actuator
THM + TAS = THS	Head module including sliding actuator
THM + TAH = THH	Head module including hinged actuator
THM + TEH = THE	Head module including handle actuator
THM + TEN = THN	Head module including handle actuator (no internal knob)

\*IP protection is to the tGard stack that this module attaches to, when correctly fitted according to installation and maintenance instructions.

Dimensional Drawing - THC



## Head Modules

### Dimensional Drawing - THM

