

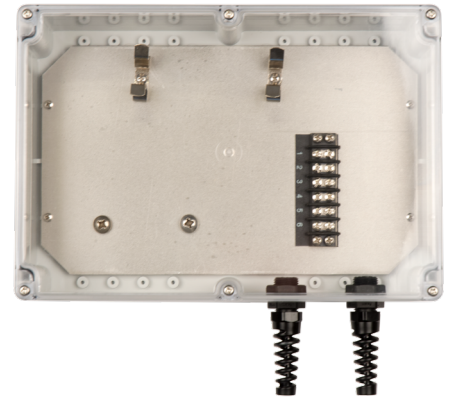


## NEMA 4X ENCLOSURE FOR SECURE CONNECTION

CONVENIENT DESIGN TO SIMPLIFY INSTALLATION AND SAFEGAUARD INSTRUMENTATION

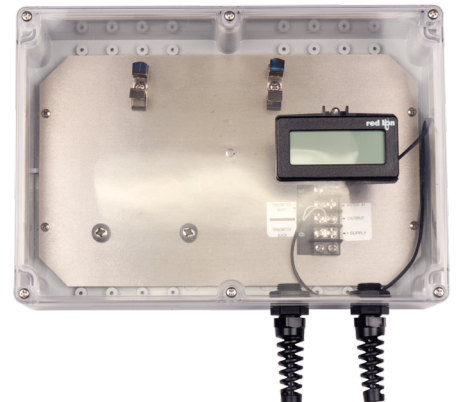
## TERMINATION ENCLOSURE

Keller's termination enclosure is a convenient option complementing gauge-type pressure/level transmitters, where it is desired to terminate the transmitter cable close to the measurement point. It includes a NEMA 4X clear front enclosure with two, liquid-tight cable fittings (one in, one out), a terminal strip, and provisions for mounting both a drying tube or bellows assembly. The termination enclosure is also available with an optional loop-powered process indicator.



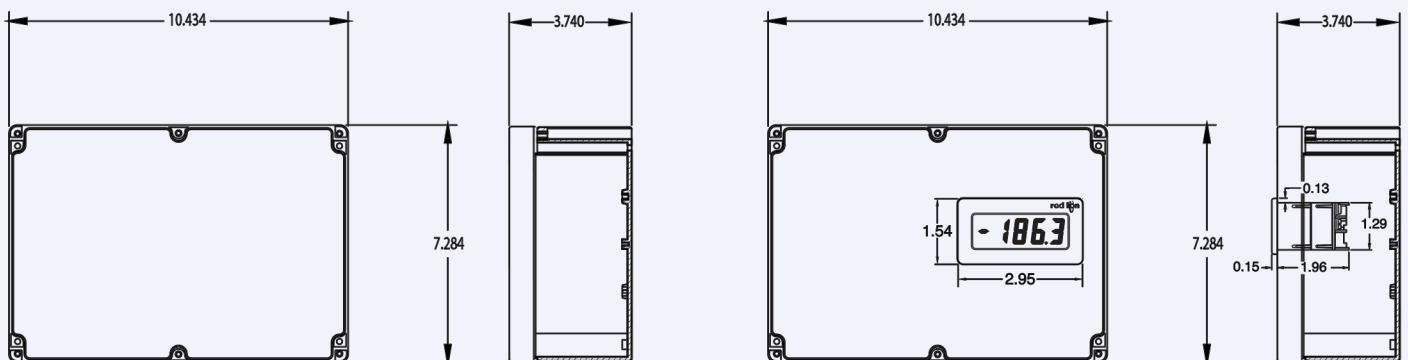
To simplify ordering of the enclosure, Keller offers the following part numbers to include the most common combinations of features and accessories. They are:

- 900001.0034 Termination Enclosure Only
- 900001.0034-1 Termination Enclosure + Drying Tube
- 900001.0034-2 Termination Enclosure + Bellows Assembly
- 900001.0034-3 Termination Enclosure + Display
- 900001.0034-4 Termination Enclosure + Drying Tube + Display
- 900001.0034-5 Termination Enclosure + Bellows + Display



900001.0034, -1, -2

900001.0034-3, -4, -5





Options and Accessories



Drying Tube - Clear tube filled with indicating desiccant, attaches directly to cable vent tube, intercepts water vapor. Highly recommended when operating in high humidity conditions. Must be periodically renewed as desiccant becomes saturated, turning color from blue (dry) to pink (saturated).



Bellows Assembly - Alternative to the drying tube, this aneroid bellows attaches to cable vent tube and requires no periodic maintenance. Note that the use of the bellows results in a closed reference pressure system subject to zero shift errors induced by changing temperatures of up to 0.0004 psi/°C. Not recommended for use with accuracy requirements of ±0.25% FS or better, or ranges < 2 psi.



Loop Powered Process Indicator - The CUB4LP from Red Lion uses a 4-20mA input signal as operating power. The unit has a 3 1/2-digit positive image reflective LCD display with 0.6" high digits and a DIP switch selectable decimal point. The ability to scale the display allows indication in any desired unit of measurement such as temperature, pressure, humidity, fluid flow, etc. The sealed front panel meets NEMA 4X/IP65 specifications for wash-down and dusty environments.

**CALIBRATING THE DISPLAY**

Calibrating the CUB4LP requires either an accurate adjustable constant current supply or the CUB4LP can be installed and scaled with the process sensor connected to the CUB4LP. To calibrate the unit, proceed as follows:

1. Set DIP switching for the desired current range.
2. Select the desired decimal point position.
3. Apply the minimum input signal to the CUB4LP and adjust the COARSE OFFSET to display the approximate desired minimum value.
4. Apply the maximum input signal to the CUB4LP and adjust the COARSE SPAN to display the approximate desired maximum value.
5. Repeat steps 3 and 4 until the minimum and maximum are within the desired values.
6. Apply the minimum input signal to the CUB4LP and adjust the FINE OFFSET to display the exact desired minimum value.
7. Apply the maximum input signal to the CUB4LP and adjust the FINE SPAN to display to display the exact desired maximum value.
8. Apply the minimum input signal and verify that the display indicates correctly.
9. Apply the maximum input signal and verify that the display indicates correctly.
10. Repeat steps 6 through 9 until display reads exact.

Note: The CUB4LP display is factory calibrated to indicate 0.0 to 100.0 with an input of 4-20mA at approximately 25° C.

**BLOCK DIAGRAM**

