



Features

Contoured window providing an exceptionally high viewing angle
Withstands high levels of shock, vibration, dirt and humidity

Benefits

Complies with ANSI C39.1 (IEC 51)
IP55 (NEMA 4) protection
Instruments comply with BSEN61010-1 and meet IEC414 (BS5458)
Dielectric Test (2600V for 1min)
Customised options and features

Applications

Switchgear
Distribution systems
Generator sets
Control panels
Energy management
Utility power monitoring
Process control
Motor control

Approvals

UL approved file no. E87815



016 Series Fiesta Indicators

A robust range of short-scale and long-scale 3 1/2" surface mount panel meters offering IP55 protection and featuring a wide view contoured window. The Fiesta range includes iron vane and moving coil AC and DC ammeters and voltmeters, elapsed time and frequency meters and is ideally suited for demanding environments. Options include supplementary pointer, non-reflecting window, heavily damped movement panel gasket, clamp band fixing long-scale and coloured internal gasket.

Specifications – Elapsed Time Meter and Frequency Meter

Voltage:	100/125V, 200/250V or 480V AC
Frequency:	50Hz or 60Hz
Burden:	4VA maximum
Operating temperature:	-20°C to 65°C (-4°F to 149°F)
Storage temperature:	-30°C to 70°C (-22°F to 158°F)

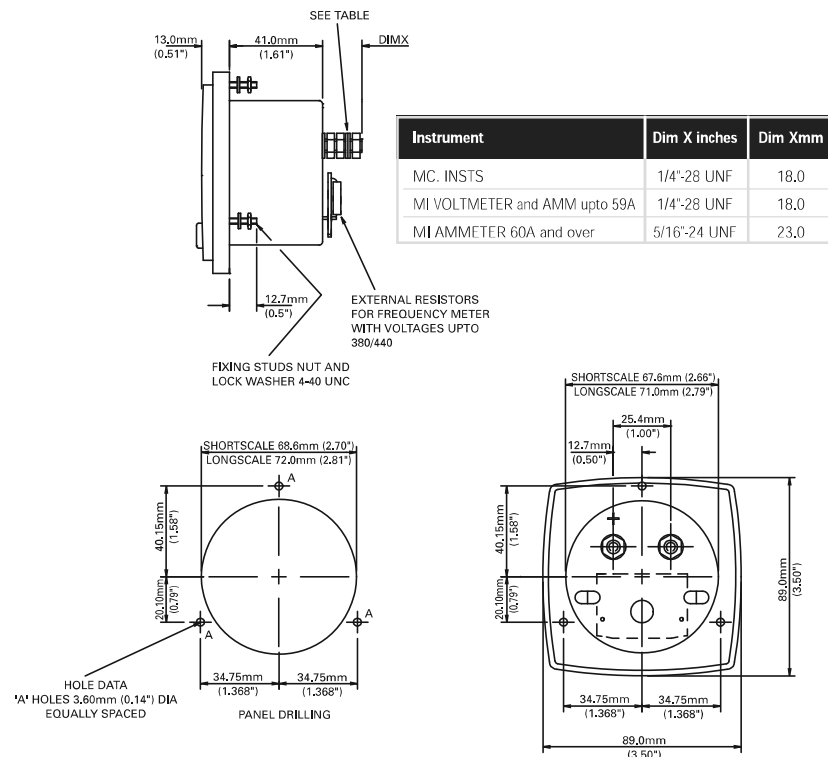
Specifications – Iron Vane AC Ammeter and Voltmeter

Accuracy:	Short-scale: ammeters 2.5%; long-scale: 1.5 %
Ratings:	Ammeters: short-scale 1 - 80A, long-scale 1 - 20A Volts: 10V - 600V
Overload:	Ammeters: x1.2 for 2 hours, 10 x for 5 seconds Volts: x1.2 for 2 hours, 2 x for 5 seconds
Burden:	Ammeters: short-scale 0.5VA; long-scale 1.5VA Volts: 4.5VA maximum
Operating temperature:	-20°C to 65°C (-4°F to 149°F)
Storage temperature:	-30°C to 70°C (-22°F to 158°F)

Specifications – Moving Coil DC Ammeter and Voltmeter

Accuracy:	Short-scale 1.5; long-scale 1.5
Ratings:	Ammeters: 200µA to 30A, (100µA short-scale) Volts: 50mV - 600V
Overload:	Ammeters: x1.2 for 2 hours, 10 x for 5 seconds Volts: x1.2 for 2 hours, 2 x for 5 seconds
Impedance:	Volts: 1000 ohms per nominal volt
Operating temperature:	-20°C to 65°C (-4°F to 149°F)
Storage temperature:	-30°C to 70°C (-22°F to 158°F)

Dimensions



AC Ammeter

Product Codes – True RMS Reading, Self Contained 50/60Hz

Rating	Scaling	Short-scale catalogue no.	Long-scale catalogue no.
5A	0-5A	•016-02A*-LSLS-C7	016-03A*-LSLS-C7
10A	0-10A	016-02A*-MTMT-C7	016-03A*-MTMT-C7
15A	0-15A	016-02A*-NDND-C7	016-03A*-NDND-C7
20A	0-20A	016-02A*-NGNG-C7	016-03A*-NGNG-C7
30A	0-30A	016-02A*-NLNL-C7	016-03A*-NLNL-C7
5A	Transformer rated	•016-02A*-LS**-C7	016-03A*-LS**-C7

Product Codes – Moving Coil Rectified

100µA - 1A	To suit	016-01B*-	016-05B*-
------------	---------	-----------	-----------

AC Overload Ammeter

Product Codes – True RMS Reading, Self Contained 50/60Hz

Rating	Scaling	Short-scale catalogue no.	Long-scale catalogue no.
5A	0-5-30A	016-026*-LSLS-C7	016-036*-LSLS-C7
10A	0-10-60A	016-026*-MTMT-C7	016-036*-MTMT-C7
15A	0-15-90A	016-026*-NDND-C7	016-036*-NDND-C7
20A	0-20-120A	016-026*-NGNG-C7	016-036*-NGNG-C7
30A	0-30-180A	016-026*-NLNL-C7	016-036*-NLNL-C7
5A	Transformer rated	016-026*-LS**-C7	016-036*-LS**-C7

AC Voltmeter

Product Code – True RMS Reading

150V	0-150V	•016-02V*-PZPZ-C7	016-03V*-PZPZ-C7
300V	0-300V	•016-02V*-RXRX-C7	016-03V*-RXRX-C7
600V	0-600V	•016-02V*-SJSJ-C7	016-03V*-SJSJ-C7
150V	Transformer rated	•016-02V*-PZ**-C7	016-03V*-PZ**-C7

Product Code – Moving Coil Rectified

15-600V	To suit	016-01W*-	016-05W*-
---------	---------	-----------	-----------

DC Ammeters

Product Codes

150V	0-150V	•016-02V*-PZPZ-C7	016-03V*-PZPZ-C7
0-50mV	To suit	016-01A*-EC**	016-05A*-EC**
0-1mA	To suit	•016-01A*-FA**	016-05A*-FA**
0-5mA	To suit	016-01A*-FX**	016-05A*-FX**
0-10mA	To suit	016-01A*-HA**	016-05A*-HA**
0-20mA	To suit	•016-01A*-HF**	016-05A*-HF**

Suppressed Zero

Product Codes – Milliammeters - No Zero Set Unless Specified

4/20mA	To suit	•016-01RA*-HG**	016-05RA-HG**
--------	---------	-----------------	---------------

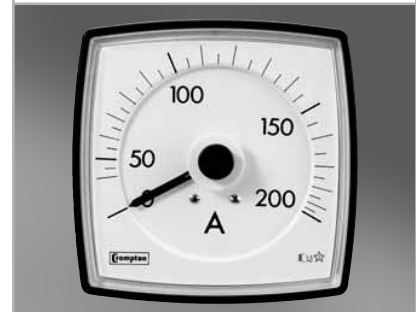
Product Codes – Voltage Suppressed Zero - No Zero Set Unless Specified

1-5V	To suit	016-01S*-LM**	-
------	---------	---------------	---

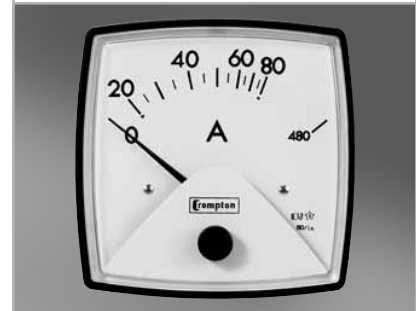
- * Please state A or B at time of ordering. A = ANSI B = BS89
- ** Customer must state required scaling at time of ordering.
- UL approved



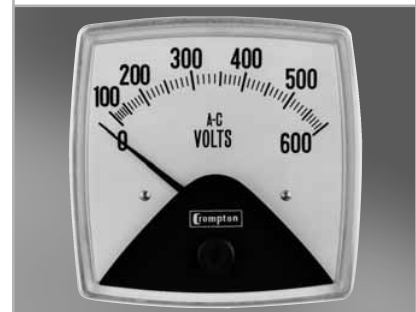
AC Ammeter Short-scale



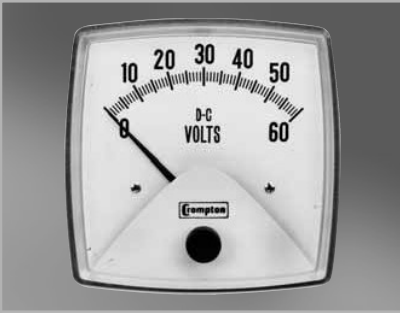
AC Ammeter Long-scale



AC Overload Ammeter



AC Voltmeter



DC Voltmeter



Frequency Meter



Elapsed Time Meter

DC Voltmeters

Product Codes – Sensitivity 1000Ω/Volt

Rating	Scaling	Short-scale catalogue no.	Long-scale catalogue no.
0-15V	0-15V	016-01V*-NDND	016-05V*-NDND
0-30V	0-30V	016-01V*-NLNL	016-05V*-NLNL
0-50V	0-50V	•016-01V*-NTNT	016-05V*-NTNT
0-150V	0-150V	•016-01V*-PZPZ	016-05V*-PZPZ
0-300V	0-300V	•016-01V*-RXRX	016-05V*-RXRX
0-600V	0-600V	016-01V*-SJSJ	016-05V*-SJSJ

Frequency Meters

Product Codes – 120V, Self Contained

Rating	Scaling	Short-scale catalogue no.	Long-scale catalogue no.
		Standard case	
50Hz centre frequency, -0.15 accuracy	45-55Hz	•016-41S*-PNAG-AG	
55Hz centre frequency, -0.25 accuracy	45-65Hz	•016-41S*-PNAJ-AJ	Use 016-053 plus 253-THZ
60Hz centre frequency, -0.15 accuracy	55-65Hz	•016-41S*-PNAN-AN	
400Hz centre frequency, -1.25 accuracy	360-440Hz	016-41S*-PNBI-BI	

Elapsed Time Meters

Product Codes – 99999.99 hours, Non-resettable

		Standard case	
110/130V, 50Hz	–	•016-155*-PNZH-C5	–
200/250V, 50Hz	–	•016-155*-RNZH-C5	–
480V, 50Hz	–	016-155*-SEZH-C5	–
110/130V, 60Hz	–	•016-156*-PNZH-C6	–
200/250V, 60Hz	–	•016-156*-RNZH-C6	–
480V, 60Hz	–	016-156*-SEZH-C6	–

Transducer Indicators

Product Codes – DC Milliamp Rated

Speed	To suit	016-012*	016-052
Frequency	To suit	016-013*	016-053
Phase angle	To suit	016-014*	016-054
Watts	To suit	016-015*	016-055
VARs	To suit	016-016*	016-056
VA	To suit	016-017*	–

* Please state A or B at time of ordering. A = ANSI B = BS89

** Customer must state required scaling at time of ordering.

• UL approved