

Strip/Clamp-On Heaters



Strip/Clamp-On Heaters	Sheath Materials	Max. Operating Temperatures		Typical Max. Watt Densities		Page
		°F	°C	W/in ²	W/cm ²	
Mineral Insulated (MI)	304 stainless steel	1400	760	140	21.7	467
375 High-Temperature	Aluminized steel	1100	595	100	15.5	471
FIREBAR® Clamp-On	Alloy 800	1400	760	120	18.6	478
	304 stainless steel	1200	650	120	18.6	
Thick Film Conduction	430 stainless steel	1025	550	75	11.6	479



Strip/Clamp-On Heaters



Strip/Clamp-On Heaters



Mineral Insulated (MI) Strip Heaters

The MI strip heater is a thin, responsive heater that uses the most advanced heater construction techniques. A nickel-chromium element wire is embedded in Watlow's exclusive mineral insulation material, which has a much higher thermal conductivity than the mica and hard ceramic insulators used in conventional heaters. This thin layer of insulation brings the element wire closer to the heater sheath. The result is heat flows easily from the element wire to the sheath allowing the wire to run cooler than conventional heaters and increasing heater life.

Performance Capabilities

- Sheath temperatures up to 1400°F (760°C)
- Watt densities up to 140 W/in² (21.7 W/cm²)
- Maximum voltage up to 480VAC
- UL® component recognition for most 240VAC or less designs (UL® File #E52951)

Features and Benefits

Higher watt densities than any other strip heater

- Provides faster heat up

Exclusive mineral insulation

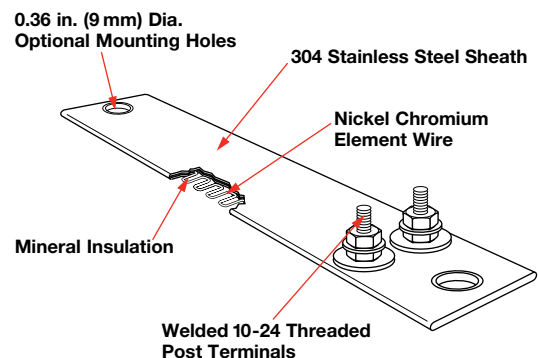
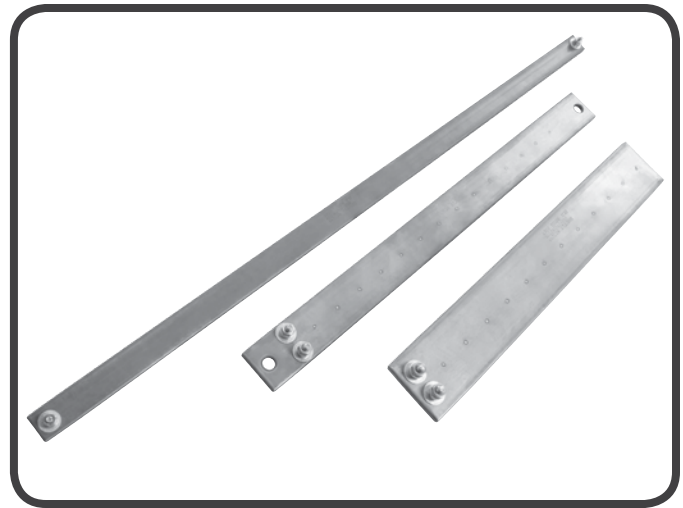
- Combines dielectric strength and superior thermal conductivity
- Transfers heat rapidly to the sheath

304 stainless steel sheath

- Maintains the high compaction of mineral insulation
- Produces a rigid heater

Typical Applications

- Solder pots
- Zinc die-casting equipment
- Die and mold heating
- High-temperature resins
- Tank and platen heating
- Ovens
- Packaging equipment
- Semiconductor chamber heating



Strip/Clamp-On Heaters



Mineral Insulated (MI) Strip Heaters

Applications and Technical Data

Calculating Watt Density

Watt density is the amount of wattage per square inch of heated area. To determine watt density, divide the total wattage by the heated area.

$$\text{Watt Density} = \frac{\text{Wattage}}{\text{Heated Area}}$$

To apply this equation, the heated area is the total contact surface of the heater less areas of no-heat found around terminals, mounting holes, etc.

Heated Area = Total Contact Area - No-Heat Area

To calculate the heated area:

1. Using the chart below, locate the **no-heat factor** corresponding to the type of heater being considered.
2. To use the formula below, insert the no-heat factors, length and width (in inches).

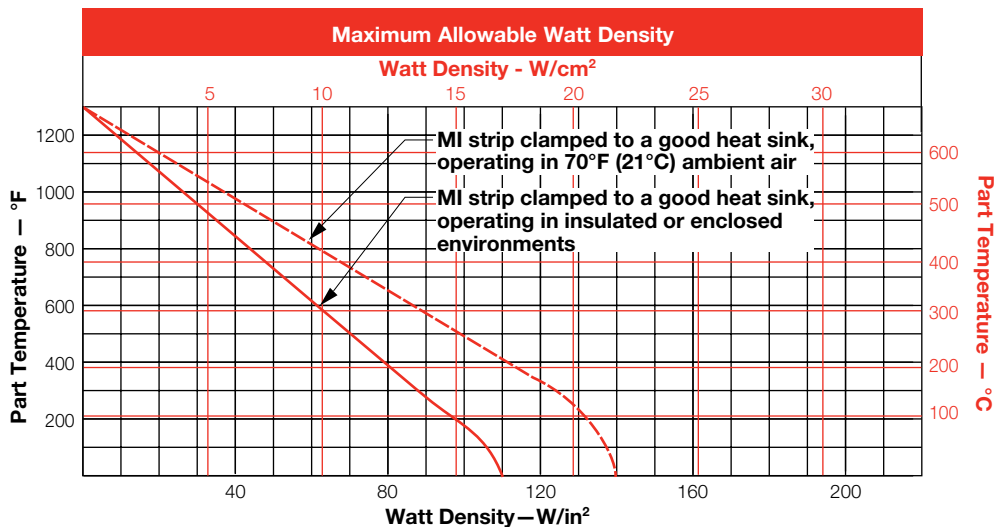
$$\text{Heated Area} = (\text{Overall Length} - \text{No-Heat Factor}) \times \text{Width}$$

Type	No-Heat Factor (in.)
1 in. wide	
1 in. wide post terminal 1 on 1	1.75
1 in. wide post terminal 1 on 1 with mounting holes	3.00
For all other widths	
2 on 1 post terminal	1.18
2 on 1 with mounting holes	3.18

The drawings on the next page and the graph on this page will help in selecting the correct watt density for a particular application. First, refer to the drawings to determine the heated area of the heater. Then, use the

watt density formula and graph to ensure that the maximum watt density of the heater does not exceed the specific application requirements.

$$\text{Watt Density} = \frac{\text{Wattage}}{\text{Heated Area}}$$



Strip/Clamp-On Heaters



Mineral Insulated (MI) Strip Heaters

Applications and Technical Data (Continued)

Specifications

Width

- 1, 1½ and 2 in. (25, 38, 51 mm), tolerance $\pm 1/32$

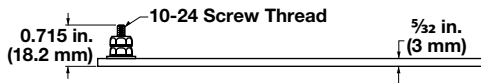
Length

- 8 to 30 in. (203 to 762 mm), tolerance $\pm 1/8$

Terminations

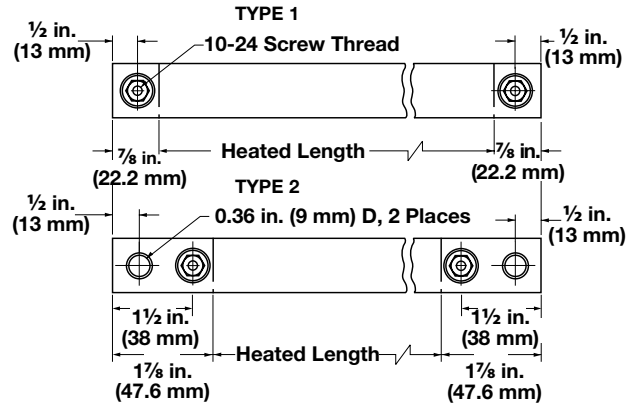
- 1 in. (25 mm) wide—post terminals one-on-one
1½ to 2 in. (38 to 51 mm)—post terminals two-on-one

All Widths

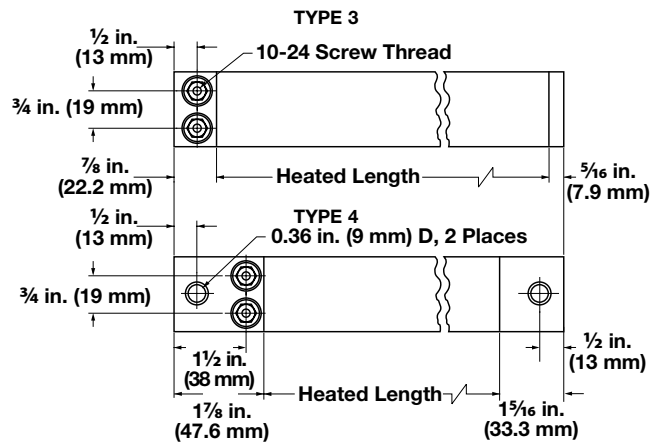


Note: In most applications, mounting holes alone do not provide adequate clamping. A clamp bar should be used for each 4 in. (102 mm) of heater length.

1 in. (25 mm) Wide



1½ in. – 2 in. (38 – 51 mm) Wide



Strip/Clamp-On Heaters

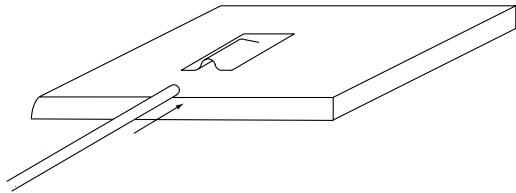


Mineral Insulated (MI) Strip Heaters

Applications and Technical Data (Continued)

Options

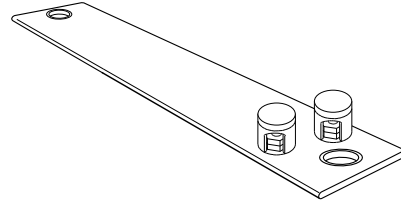
Thermocouple Pocket



A thermocouple pocket welded to the back surface accepts a 0.063 in. (1.6 mm) diameter thermocouple. This option provides accurate temperature sensing and easy thermocouple replacement. Thermocouple not included.

Accessories

Ceramic Terminal Covers



Ceramic terminal covers offer a convenient and economic method to insulate post terminals. They are sized for standard length posts with 10-24 screw thread size, supplied as an accessory item and shipped separately. Specify Z4918 and quantity.

Parallel Terminals Part Numbers—Type 3 and 4

Width in. (mm)	Length in. (mm)	Volts	Power (Watts)	Watt Density W/in ² (W/cm ²)	Approx. Net Wt. lbs (kg)	Type	Part Number
1 1/2 (38)	8 (203)	240	500	50 (7.8)	0.3 (0.15)	3	MS1J8AS3
1 1/2 (38)	12 (305)	120	350	26 (4.0)	0.5 (0.2)	4	MS1J12AV2^①
1 1/2 (38)	12 (305)	240	350	26 (4.0)	0.5 (0.2)	4	MS1J12AV3^①
1 1/2 (38)	12 (305)	240	800	49 (7.6)	0.5 (0.2)	3	MS1J12AS2
1 1/2 (38)	18 (457)	120	1000	40 (6.2)	0.8 (0.3)	3	MS1J18AS1
1 1/2 (38)	18 (457)	240	1000	40 (6.2)	0.8 (0.3)	3	MS1J18AS2

^① Denotes units with mounting holes. Mounting holes are 0.36 in. (9 mm) in diameter and are intended for use with 1/4 in. (6 mm) bolts.

Centers of mounting holes are located 1/2 in. (13 mm) from the ends of the heater.

Strip/Clamp-On Heaters



375 High-Temperature Strip Heaters

Named for its 0.375 in. (9.5 mm) thickness, the rugged Watlow 375 strip heater is capable of both high temperatures and high watt densities.

Watlow® begins construction by accurately placing a coiled, nickel-chromium element wire in the center of the heater. The element wire is then embedded in magnesium oxide (MgO)-based insulation compacted into a solid mass creating excellent heat conductivity and high dielectric strength. The heater is then enclosed in aluminized steel or 430 stainless steel sheathing.

Performance Capabilities

- Aluminized steel sheath temperatures up to 1100°F (595°C)
- 430 stainless steel sheath temperatures up to 1200°F (650°C)
- Watt densities up to 100 W/in² (15.5 W/cm²)
- UL® approved up to 240VAC (File No. E52951)
- CSA approved up to 480VAC (File No. LR7392)

Features and Benefits

Nickel-chromium element wire is centered in the heater

- Assures uniform heat

Aluminized steel sheath

- Operates at higher temperatures and resists corrosion better than iron-sheathed heaters
- Minimizes heat-up time

Optional 430 stainless steel sheath

- Meets temperature requirements that reach up to 1200°F (650°C)

Post terminals, welded to the element wire

- Produces strong, trouble-free connections

Rigid 3/8 in. (9.5 mm) thick design

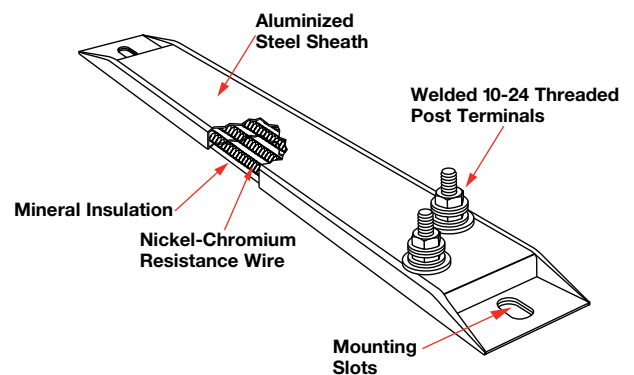
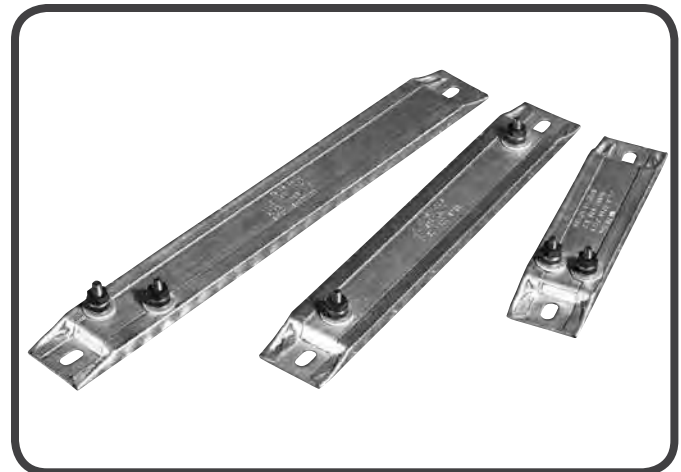
- Enables the heater to fit into many existing applications

Over 100 in-stock models in popular sizes and ratings

- Allows next day shipment

Available dimensions are 1 1/2 in. (38 mm) wide and 5 1/2 to 48 in. (140 to 1219 mm) long

- Fits a variety of application needs



Typical Applications

- Food warming
- Freeze and moisture protection
- Tank and platen heating
- Packaging
- Dies and mold heating
- Autoclaves
- Ovens
- Telecom

Strip/Clamp-On Heaters



375 High-Temperature Strip Heaters

Applications and Technical Data

Calculating Watt Density

Use the *Maximum Allowable Watt Density* graphs and formulas to ensure the allowable watt density for the heater does not exceed the specific application requirements. **Watt density is calculated for one side of the heater only.**

Formulas

$$\text{Watt Density} = \frac{\text{Wattage}}{\text{Heated Area}}$$

Heated Area

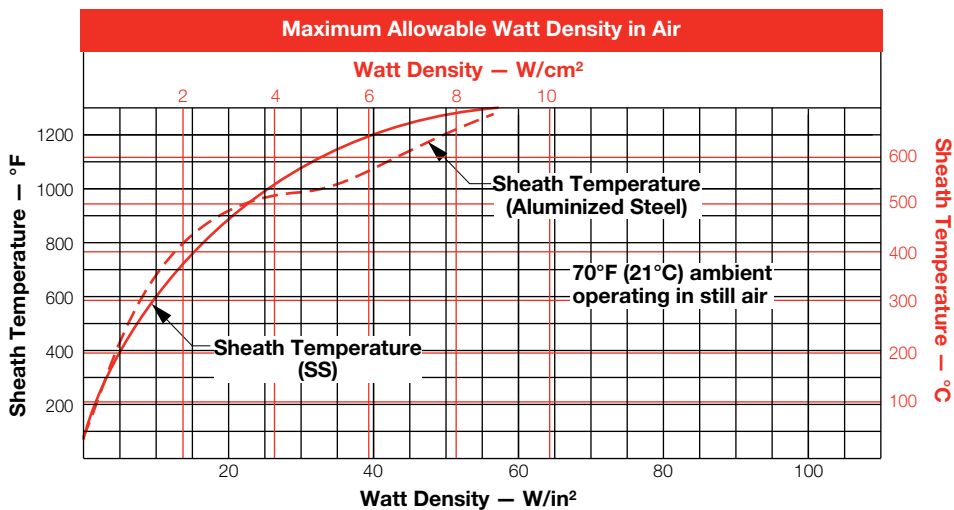
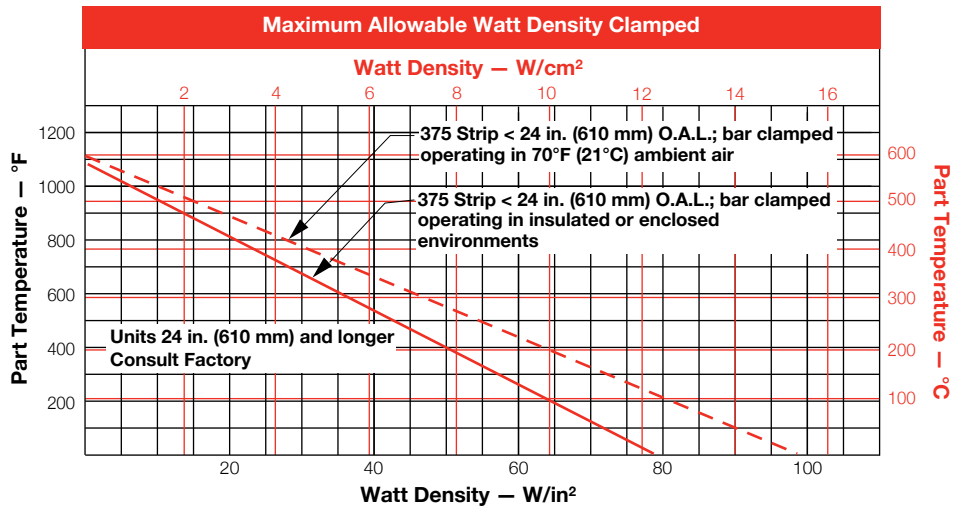
$$\begin{aligned} \text{(Offset Terminals)} &= [\text{Overall Length (A)} \times 1.5 \text{ in.}] - 6 \text{ in}^2 \\ &= [\text{Overall Length (A)} \times 38 \text{ mm}] - 38.7 \text{ cm}^2 \end{aligned}$$

Heated Area

$$\begin{aligned} \text{(Parallel Terminals)} &= [\text{Overall Length (A)} \times 1.5 \text{ in.}] - 4.7 \text{ in}^2 \\ &= [\text{Overall Length (A)} \times 38 \text{ mm}] - 30.3 \text{ cm}^2 \end{aligned}$$

Heated Area

$$\begin{aligned} \text{(One-on-One Terminals)} &= [\text{Overall Length (A)} \times 1.5 \text{ in.}] - 6 \text{ in}^2 \\ &= [\text{Overall Length (A)} \times 38 \text{ mm}] - 38.7 \text{ cm}^2 \end{aligned}$$



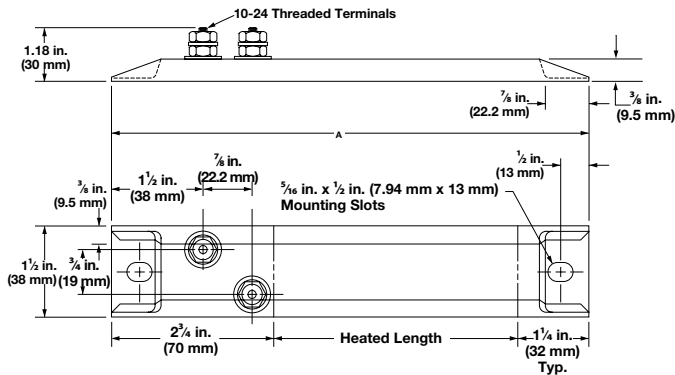
Strip/Clamp-On Heaters



375 High-Temperature Strip Heaters

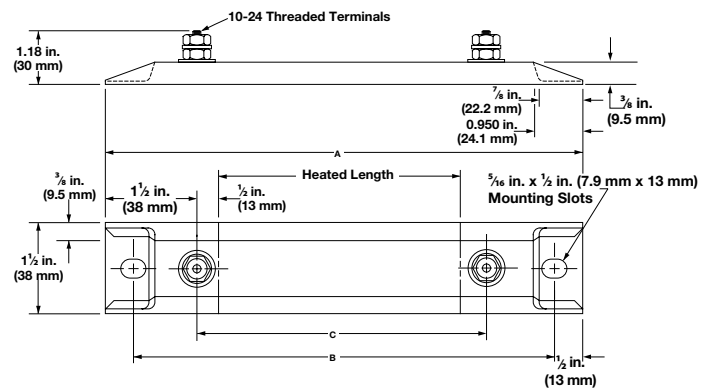
Termination Options

Offset Terminals



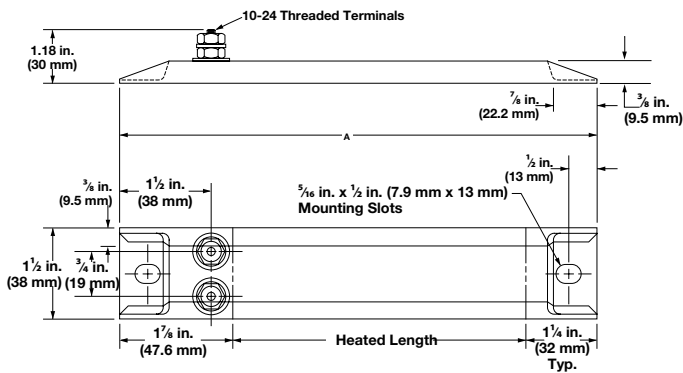
Two 10-24 threaded post terminals are offset from each other on the same end.

One-on-One Terminals



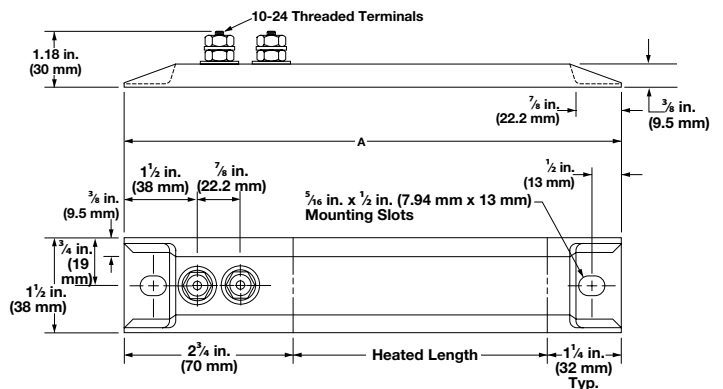
Two 10-24 threaded post terminals are placed one on each end.

Parallel Terminals



Two 10-24 threaded post terminals are used; both terminals on one end.

In-Line Terminals



Two 10-24 threaded post terminals are in-line with each other on the same end.

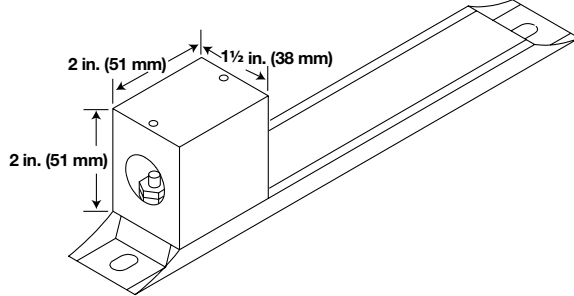
Strip/Clamp-On Heaters



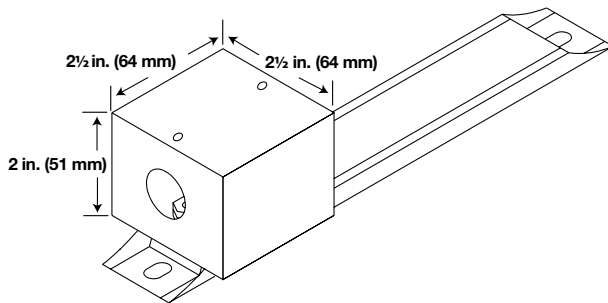
375 High-Temperature Strip Heaters

Termination Options (Continued)

Metallic Terminal Boxes - Variations



Available on in-line terminals only.

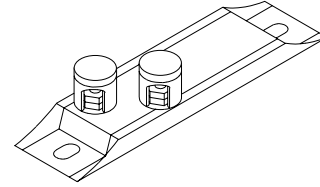


Available on offset terminals from stock and manufactured.

Metallic terminal boxes are available from stock on offset terminals. Terminal boxes act as a safety feature by covering the terminals. A conduit may be attached to the box through $\frac{7}{8}$ in. (22.2 mm) diameter holes in the ends of the box. To order, specify **terminal box**.

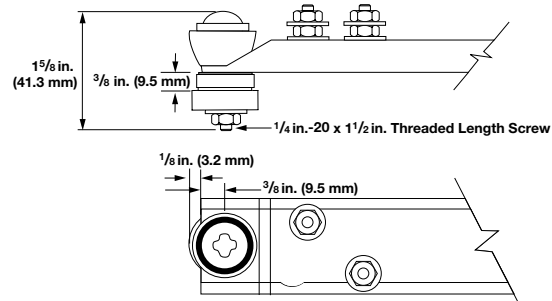
Accessories

Ceramic Terminal Covers



Ceramic terminal covers offer a convenient and economic method to insulate post terminals. They are sized for standard length posts with 10-24 screw thread size, supplied as an accessory item and shipped separately. Specify **Z4918** and quantity.

Secondary Insulation Bushings



Insulators are suitable when air heating and/or voltage to ground is a concern. A secondary insulation bushing kit, part number **Z5230**, contains one set of bushings for one heater. To accommodate bushings, $\frac{17}{32} \times \frac{11}{16}$ inch diameter mounting holes **must** be specified when ordering the heater.

Strip/Clamp-On Heaters



375 High-Temperature Strip Heaters

Heater Part Numbers

Width in. (mm)	Length in. (mm)	Term.	Volts	Power (Watts)	Watt Density W/in ² (W/cm ²)	Approx. Net Wt. lbs (kg)	Part Number	Chromalox® Part No. ①		Wellman® Part No. ①	
								Rust Resist. Iron Sheath	Chrome Stl. Sheath	Aluminized Steel Sheath	Chrome Stl. Sheath
1 1/2 (38)	5 1/2 (140)	Parallel	120	125	35 (5.4)	0.4 (0.18)	SGA1J5JP1	PT-512	—	—	—
	5 1/2 (140)	Parallel	120	250	70 (10.8)	0.4 (0.18)	SGA1J5JP2	—	PT-502	—	—
	6 (152)	Parallel	120	150	35 (5.4)	0.4 (0.18)	SGA1J6AP2	PT-615	—	—	—
	6 (152)	Parallel	240	150	35 (5.4)	0.4 (0.18)	SGA1J6AP3	PT-615	—	—	—
	6 (152)	Parallel	120	300	70 (10.8)	0.4 (0.18)	SGA1J6AP4	—	PT-603	—	—
	6 (152)	Parallel	240	300	70 (10.8)	0.4 (0.18)	SGA1J6AP5	—	PT-603	—	—
	7 1/2 (191)	Offset	120	150	29 (4.5)	0.5 (0.23)	SGA1J7JO1	OT-715	—	SS1041	—
	7 1/2 (191)	Offset	240	150	29 (4.5)	0.5 (0.23)	SGA1J7JO2	OT-715	—	SS1052	—
	7 1/2 (191)	Offset	240	200	38 (5.9)	0.5 (0.23)	SGA1J7JO3	—	OT-702	—	SS2052
	8 (203)	Offset	120	150	25 (3.9)	0.5 (0.23)	SGA1J8AO1	OT-815	—	SS1061	—
	8 (203)	Offset	240	150	25 (3.9)	0.5 (0.23)	SGA1J8AO5	OT-815	—	SS1072	—
	8 (203)	Offset	120	175	29 (4.5)	0.5 (0.23)	SGA1J8AO6	OT-817	—	SS1081	—
	8 (203)	Offset	240	175	29 (4.5)	0.5 (0.23)	SGA1J8AO7	OT-817	—	SS1092	—
	8 (203)	Offset	120	250	42 (6.5)	0.5 (0.23)	SGA1J8AO2	—	OT-802	—	SS2061
	8 (203)	Offset	240	250	42 (6.5)	0.5 (0.23)	SGA1J8AO8	—	OT-802	—	SS2072
	8 (203)	Offset	120	400	67 (10.4)	0.5 (0.23)	SGA1J8AO9	—	OT-804	—	SS2081
	8 (203)	Offset	240	400	67 (10.4)	0.5 (0.23)	SGA1J8AO10	—	OT-804	—	SS2092
	8 (203)	Offset	120	500	83 (12.9)	0.5 (0.23)	SGA1J8AO3	—	—	—	—
	8 (203)	Offset	240	500	83 (12.9)	0.5 (0.23)	SGA1J8AO4	—	—	—	—
	8 (203)	1-on-1	120	150	24 (3.7)	0.5 (0.23)	SGA1J8AT1	S-815	—	SD1021	—
	8 (203)	1-on-1	240	150	24 (3.7)	0.5 (0.23)	SGA1J8AT2	S-815	—	SD1032	—
	9 1/2 (241)	1-on-1	120	200	23 (3.6)	0.6 (0.27)	SGA1J9JT1	S-920	—	SD1041	—
	10 1/2 (267)	Offset	120	250	26 (4.0)	0.7 (0.32)	SGA1J10JO1	OT-1025	—	SS1101	—
	10 1/2 (267)	Offset	240	250	26 (4.0)	0.7 (0.32)	SGA1J10JO2	OT-1025	—	SS1102	—
	10 1/2 (267)	Offset	120	350	36 (5.6)	0.7 (0.32)	SGA1J10JO8	—	OT-1003	—	SS2101
	10 1/2 (267)	Offset	240	350	36 (5.6)	0.7 (0.32)	SGA1J10JO5	—	OT-1003	—	SS2112
	10 1/2 (267)	Offset	120	400	41 (6.4)	0.7 (0.32)	SGA1J10JO6	—	OT-1004	—	SS2131
	10 1/2 (267)	Offset	240	400	41 (6.4)	0.7 (0.32)	SGA1J10JO7	—	OT-1004	—	SS2132
	12 (305)	Offset	120	250	21 (3.3)	0.8 (0.32)	SGA1J12AO1	OT-1225	OT-1202	SS1141	—
	12 (305)	Offset	240	250	21 (3.3)	0.8 (0.32)	SGA1J12AO2	OT-1225	OT-1202	SS1152	—
	12 (305)	Offset	120	350	29 (4.5)	0.8 (0.36)	SGA1J12AO5	—	OT-1203	—	SS2141
	12 (305)	Offset	240	350	29 (4.5)	0.8 (0.36)	SGA1J12AO6	—	OT-1203	—	SS2152
12 (305)	Offset	120	500	42 (6.5)	0.8 (0.36)	SGA1J12AO3	—	OT-1205	—	SS2161	
12 (305)	Offset	240	500	42 (6.5)	0.8 (0.36)	SGA1J12AO4	—	OT-1205	—	SS2172	
12 (305)	1-on-1	120	250	20 (3.1)	0.8 (0.36)	SGA1J12AT1	S-1225	S-1202	SD1061	SD2071	
12 (305)	1-on-1	240	250	20 (3.1)	0.8 (0.36)	SGA1J12AT2	S-1225	S-1202	SD1072	SD2082	
12 (305)	1-on-1	240	500	40 (6.2)	0.8 (0.36)	SGA1J12AT3	—	S-1205	—	SD2122	
14 (356)	Offset	120	300	20 (3.1)	0.9 (0.41)	SGA1J14AO2	OT-1430	—	SS1181	—	
14 (356)	Offset	240	300	20 (3.1)	0.9 (0.41)	SGA1J14AO1	OT-1430	—	SS1192	—	
14 (356)	Offset	120	500	33 (5.1)	0.9 (0.41)	SGA1J14AO3	—	OT-1405	—	SS2181	
14 (356)	Offset	240	500	33 (5.1)	0.9 (0.41)	SGA1J14AO4	—	OT-1405	—	SS2192	
14 (356)	1-on-1	120	300	20 (3.1)	0.9 (0.41)	SGA1J14AT1	S-1430	—	SD1131	—	
15 1/4 (387)	Offset	120	325	19 (2.9)	1.0 (0.45)	SGA1J15EO2	OT-1532	—	SS1201	—	
15 1/4 (387)	Offset	240	325	19 (2.9)	1.0 (0.45)	SGA1J15EO3	OT-1532	—	SS1212	—	
15 1/4 (387)	Offset	240	500	30 (4.6)	1.0 (0.45)	SGA1J15EO4	—	OT-1505	—	SS2212	

CONTINUED

①Chromalox® and Wellman® part numbers are used as a cross reference to help select the equivalent Watlow part number. Chromalox® sizes 27 in. (686 mm) and longer, and all Wellman® sizes have mounting slot center to center distances 1/8 in. (3.2 mm) less than Watlow spacing.

Note: 5/16 in. x 1/2 in. (7.9 mm x 13 mm) mounting holes are supplied on all 375 strip heaters as standard, larger mounting holes may be provided 17/32 in. x 11/16 in. (13.5 mm x 17.5 mm).

Note that the Watlow part number specifies that the 375 strip heater includes an aluminized steel sheath. If a special sheath material is required, such as stainless steel, please contact your Watlow representative for material availability.

Strip/Clamp-On Heaters



375 High-Temperature Strip Heaters

Heater Part Numbers (Continued)

Width in. (mm)	Length in. (mm)	Term.	Volts	Power (Watts)	Watt Density W/in ² (W/cm ²)	Approx. Net Wt. lbs (kg)	Part Number	Chromalox® Part No. ①		Wellman® Part No. ①	
								Rust Resist. Iron Sheath	Chrome Stl. Sheath	Aluminized Steel Sheath	Chrome Stl. Sheath
1 1/2 (38)	17 7/8 (454)	Offset	120	350	17 (2.6)	1.2 (0.54)	SGA1J17RO4	OT-1835	—	SS1221	SS2221
	17 7/8 (454)	Offset	240	350	17 (2.6)	1.2 (0.54)	SGA1J17RO5	OT-1835	—	SS1232	SS2232
	17 7/8 (454)	Offset	120	375	18 (2.8)	1.2 (0.54)	SGA1J17RO6	OT-1837	—SS1261	SS2241	—
	17 7/8 (454)	Offset	240	375	18 (2.8)	1.2 (0.54)	SGA1J17RO7	OT-1837	—	SS1252	—
	17 7/8 (454)	Offset	120	500	24 (3.7)	1.2 (0.54)	SGA1J17RO1	OT-1850	—	SS1261	SS2241
	17 7/8 (454)	Offset	240	500	24 (3.7)	1.2 (0.54)	SGA1J17RO2	OT-1850	—	SS1272	SS2252
	17 7/8 (454)	Offset	120	750	36 (5.6)	1.2 (0.54)	SGA1J17RO9	—	OT-1807	— SS2261	
	17 7/8 (454)	Offset	240	750	36 (5.6)	1.2 (0.54)	SGA1J17RO8	—	OT-1807	— SS2272	
	17 7/8 (454)	Offset	120	1000	48 (7.4)	1.2 (0.54)	SGA1J17RO10	—	OT-1801	— SS2281	
	17 7/8 (454)	Offset	240	1000	48 (7.4)	1.2 (0.54)	SGA1J17RO3	—	OT-1801	— SS2292	
	17 7/8 (454)	1-on-1	120	500	24 (3.7)	1.2 (0.54)	SGA1J17RT1	S-1850	S-1805	SD1211	SD2171
	17 7/8 (454)	1-on-1	240	500	24 (3.7)	1.2 (0.54)	SGA1J17RT2	S-1850	S-1805	SD1222	SD2182
	17 7/8 (454)	1-on-1	240	750	35 (5.4)	1.2 (0.54)	SGA1J17RT3	—	S-1807	— SD2202	
	17 7/8 (454)	1-on-1	120	1000	47 (7.3)	1.2 (0.54)	SGA1J17RT4	—	S-1801	— SD2211	
	17 7/8 (454)	1-on-1	240	1000	47 (7.3)	1.2 (0.54)	SGA1J17RT5	—	S-1801	— SD2222	
	19 1/2 (496)	Offset	240	350	15 (2.3)	1.3 (0.59)	SGA1J19JO6	OT-1935	—	SS1301	—
	19 1/2 (496)	Offset	120	500	22 (3.4)	1.3 (0.59)	SGA1J19JO7	OT-1950	OT-1905	— SS2301	
	19 1/2 (496)	Offset	240	500	22 (3.4)	1.3 (0.59)	SGA1J19JO4	OT-1950	OT-1905	— SS2312	
	19 1/2 (496)	Offset	240	750	32 (5.0)	1.3 (0.59)	SGA1J19JO8	—	OT-1907	— —	
	19 1/2 (496)	Offset	240	1000	43 (6.7)	1.3 (0.59)	SGA1J19JO1	—	OT-1901	— SS2332	
	19 1/2 (496)	1-on-1	240	750	32 (5.0)	1.3 (0.59)	SGA1J19JT1	—	S-1907	— SD2262	
	21 (533)	Offset	120	500	20 (3.1)	1.4 (0.64)	SGA1J21AO1	OT-2150	—	SS1341	—
	21 (533)	Offset	240	500	20 (3.1)	1.4 (0.64)	SGA1J21AO2	OT-2150	—	SS1352	—
	21 (533)	Offset	120	750	29 (4.5)	1.4 (0.64)	SGA1J21AO3	—	OT-2107	— SS2341	
	21 (533)	Offset	240	750	29 (4.5)	1.4 (0.64)	SGA1J21AO4	—	OT-2107	— SS2352	
	21 (533)	1-on-1	120	500	19 (2.9)	1.4 (0.64)	SGA1J21AT1	S-2050	S-2005	SD1291	SD2291
	23 3/4 (603)	Offset	120	500	17 (2.6)	1.5 (0.68)	SGA1J23NO5	OT-2450	OT-2405	SS1361	SS2361
	23 3/4 (603)	Offset	240	500	17 (2.6)	1.5 (0.68)	SGA1J23NO6	OT-2450	OT-2405	SS1372	SS2372
	23 3/4 (603)	Offset	120	750	25 (3.9)	1.5 (0.68)	SGA1J23NO1	OT-2475	OT-2407	SS1391	SS2381
	23 3/4 (603)	Offset	240	750	25 (3.9)	1.5 (0.68)	SGA1J23NO2	OT-2475	OT-2407	SS1402	SS2392
	23 3/4 (603)	Offset	120	1000	34 (5.3)	1.5 (0.68)	SGA1J23NO7	—	OT-2401	— SS2401	
	23 3/4 (603)	Offset	240	1000	34 (5.3)	1.5 (0.68)	SGA1J23NO3	—	OT-2401	— SS2412	
	23 3/4 (603)	Offset	240	1500	51 (7.9)	1.5 (0.68)	SGA1J23NO4	—	OT-2415	— —	
	23 3/4 (603)	1-on-1	240	250	8 (1.2)	1.5 (0.68)	SGA1J23NT1	S-2425	—	SD1322	—
	23 3/4 (603)	1-on-1	240	500	17 (2.6)	1.5 (0.68)	SGA1J23NT3	S-2450	S-2404	SD1342	SD2322
	23 3/4 (603)	1-on-1	240	750	25 (3.9)	1.5 (0.68)	SGA1J23NT5	—	S-2407	— SD2352	
	23 3/4 (603)	1-on-1	120	1000	33 (5.1)	1.5 (0.68)	SGA1J23NT6	—	S-2401	— SD2361	
	23 3/4 (603)	1-on-1	240	1000	33 (5.1)	1.5 (0.68)	SGA1J23NT7	—	S-2401	— SD2372	
	23 3/4 (603)	1-on-1	240	1500	50 (7.8)	1.5 (0.68)	SGA1J23NT8	—	S-2415	— —	
	25 1/2 (648)	Offset	120	500	16 (2.5)	1.7 (0.77)	SGA1J25JO1	OT-2550	—	SS1421	—
	25 1/2 (648)	Offset	240	500	16 (2.5)	1.7 (0.77)	SGA1J25JO2	OT-2550	—	SS1432	—
	25 1/2 (648)	Offset	120	750	23 (3.6)	1.7 (0.77)	SGA1J25JO3	OT-2575	OT2507	SS1441	SS2421
	25 1/2 (648)	Offset	240	750	23 (3.6)	1.7 (0.77)	SGA1J25JO4	OT-2575	OT-2507	SS1452	SS2432
	25 1/2 (648)	Offset	240	1000	31 (4.8)	1.7 (0.77)	SGA1J25JO5	—	OT-2501	— SS2452	

CONTINUED

①Chromalox® and Wellman® part numbers are used as a cross reference to help select the equivalent Watlow part number. Chromalox® sizes 27 in. (686 mm) and longer, and all Wellman® sizes have mounting slot center to center distances 1/8 in. (3.2 mm) less than Watlow spacing.

Note: 5/16 in. x 1/2 in. (7.9 mm x 13 mm) mounting holes are supplied on all 375 strip heaters as standard, larger mounting holes may be provided 17/32 in. x 11/16 in. (13.5 mm x 17.5 mm).

Note that the Watlow part number specifies that the 375 strip heater includes an aluminized steel sheath. If a special sheath material is required, such as stainless steel, please contact your Watlow representative for material availability.

Strip/Clamp-On Heaters



375 High-Temperature Strip Heaters

Heater Part Numbers (Continued)

Width in. (mm)	Length in. (mm)	Term.	Volts	Power (Watts)	Watt Density		Approx. Net Wt. lbs (kg)	Part Number	Chromalox® Part No. ①		Wellman® Part No. ①	
					W/in²	(W/cm²)			Rust Resist. Iron Sheath	Chrome Stl. Sheath	Aluminized Steel Sheath	Chrome Stl. Sheath
1 1/2 (38)	26 3/4 (680)	Offset	240	700	21	(3.3)	1.7 (0.77)	SGA1J26NO1	OT-2670	—	SS1472	—
	26 3/4 (680)	Offset	240	1000	29	(4.5)	1.7 (0.77)	SGA1J26NO2	—	OT-2601	—	SS2472
	30 1/2 (775)	Offset	120	750	19	(2.9)	2.0 (0.91)	SGA1J30JO2	OT-3075	OT-3007	SS1481	—
	30 1/2 (775)	Offset	240	750	19	(2.9)	2.0 (0.91)	SGA1J30JO3	OT-3075	OT-3007	SS1492	SS2482
	30 1/2 (775)	1-on-1	240	750	19	(2.9)	2.0 (0.91)	SGA1J30JT1	S-3075	S-3007	SD1452	—
	33 1/2 (851)	Offset	240	750	17	(2.6)	2.2 (1.0)	SGA1J33JO1	OT-3375	OT-3307	SS1522	SS2522
	33 1/2 (851)	1-on-1	240	1000	22	(3.4)	2.2 (1.0)	SGA1J33JT1	—	S-3301	—	SD2472
	35 7/8 (911)	Offset	120	1000	21	(3.3)	2.3 (1.0)	SGA1J35RO4	OT-3610	—	SS1531	—
	35 7/8 (911)	Offset	240	1000	21	(3.3)	2.3 (1.0)	SGA1J35RO3	OT-3610	—	SS1542	SS2532
	35 7/8 (911)	Offset	240	1500	31	(4.8)	2.3 (1.0)	SGA1J35RO1	—	OT-3601	SS2552	—
	35 7/8 (911)	1-on-1	240	1000	21	(3.3)	2.3 (1.0)	SGA1J35RT1	S-3610	S-3601	SD1492	SD2492
	38 1/2 (978)	Offset	120	1000	19	(2.9)	2.5 (1.1)	SGA1J38JO2	OT-3810	OT-3801	SS1581	SS2561
	38 1/2 (978)	Offset	240	1500	29	(4.5)	2.5 (1.1)	SGA1J38JO3	—	OT-3815	—	—
	42 1/2 (1080)	Offset	240	1500	26	(4.0)	2.8 (1.3)	SGA1J42JO1	—	OT-4315	SS1632	SS2632
	47 7/8 (1216)	Offset	240	2250	34	(5.3)	3.1 (1.4)	SGA1J47RO1	—	OT-4822	—	—

①Chromalox® and Wellman® part numbers are used as a cross reference to help select the equivalent Watlow part number. Chromalox® sizes 27 in. (686 mm) and longer, and all Wellman® sizes have mounting slot center to center distances 1/8 in. (3.2 mm) less than Watlow spacing.

Note: 5/16 in. x 1/2 in. (7.9 mm x 13 mm) mounting holes are supplied on all 375 strip heaters as standard, larger mounting holes may be provided 17/32 in. x 11/16 in. (13.5 mm x 17.5 mm).

Note that the Watlow part number specifies that the 375 strip heater includes an aluminized steel sheath. If a special sheath material is required, such as stainless steel, please contact your Watlow representative for material availability.

Strip/Clamp-On Heaters



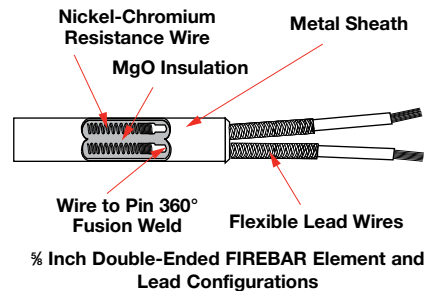
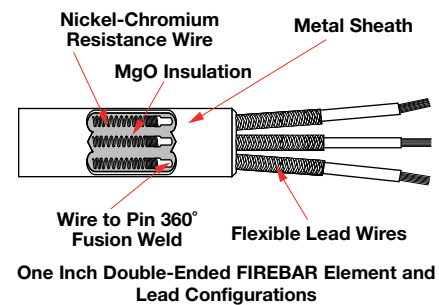
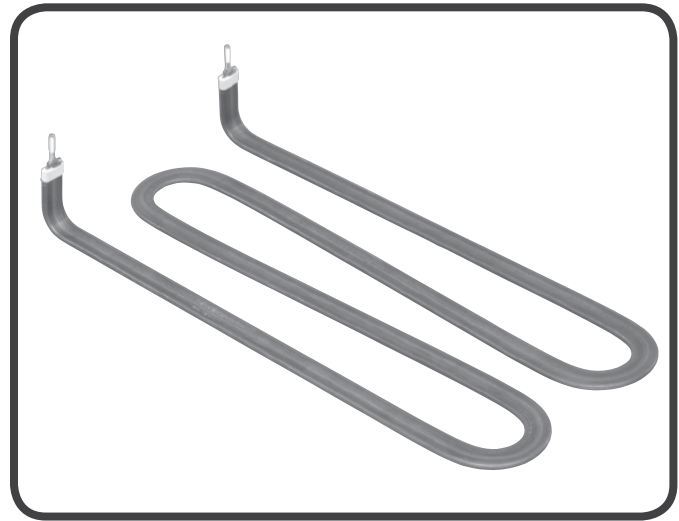
FIREBAR® Clamp-On Heaters

FIREBAR® heating elements provide added heating performance over standard round tubular heating elements—especially for immersion applications in petroleum based liquids requiring high kilowatts.

The FIREBAR's unique flat surface geometry packs more power in shorter elements and assemblies, along with a host of other performance improvements. These include:

- Minimizing coking and fluid degrading
- Enhancing the flow of fluid past the element's surface to carry heat from the sheath
- Improving heat transfer with a significantly larger boundary layer allowing much more liquid to flow up and across the sheath's surface

FIREBAR elements are available in single- and double-ended constructions with one inch or 5/8 inch heights. These two configuration variables make it possible to use FIREBAR elements instead of round tubular elements in virtually all applications.



**For detailed product and technical data,
see the full FIREBAR product
section located on pages 84 through 102.**

Strip/Clamp-On Heaters



Thick Film Conduction Heaters

The Watlow 430 stainless steel thick film conduction heater is ideal for many applications where fast response and uniformity are essential. A clamp-on, thick film heater provides the best possible combination of heat transfer, thermal efficiency, temperature response and uniformity in a low profile package.

This high-performance heater can be used in areas where space is limited or where conventional heaters cannot be used due to limited voltage and wattage combinations.

Thick film conduction heaters provide a low profile in a variety of shapes including two-dimensional circular and rectangular forms. Direct contact of thick film heaters to surfaces ensures efficient heat transfer through thermally stable substrates and precise resistance trace patterns.

Performance Capabilities

- Maximum substrate temperature up to 1022°F (550°C). Contact your Watlow representative for applications over 842°F (450°C)
- Watt densities up to 75 W/in² (11.6 W/cm²)
- Voltages up to 240V

Features and Benefits

Watt densities up to 75 W/in² (11.6 W/cm²) for clamp-on applications

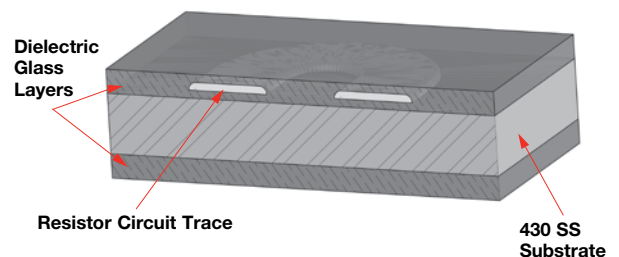
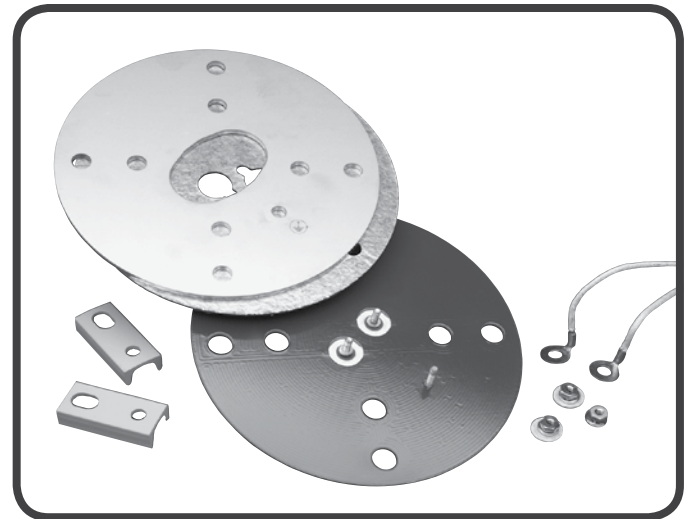
- Allows precise, repeatable wattage distribution and uniform temperature profile

Threaded stud termination

- Produces strong, trouble-free connections, see *Termination Assembly* drawing on page 454

Agency approvals

- UL[®] component recognition available upon request



Typical Applications

- Food warming cabinets
- Load dump resistors
- Seal bars
- Deposition chamber lids

For detailed product and technical data, see the full Thick Film Conduction product section located on pages 453 through 456.

