

# Pressure Gauge Accessories

## Instrument Grade Needle Valves

### Type 910.11

WIKA Datasheet 910.11

#### Applications

- Intended to isolate the pressure gauge from the measured fluid or to provide a means of throttling or dampening pressure pulsation.

#### Special Features

- **Pressure Rating**  
Hard seat models 10,000 psi  
Soft seat models 6,000 psi
- **Operating Temperature**  
Media: max. 200°F (+93°C)  
min. 0°F (-18°C)
- **Flow Rate**  
Hard seat models Max.  $C_v$  .52  
Soft seat models Max.  $C_v$  .83

#### Standard Features

##### Valve Body

12L14 carbon steel, nickel plated, or 316 SS, electropolished

##### Bonnet

12L14 carbon steel or 316 SS

##### Valve Stem

316 SS (hard chromed on hard seat models)

##### Handle

12L14 carbon steel or 316 SS

##### Handle Bolt

12L14 carbon steel or 18-8 SS



Instrument Grade Needle Valve Model 910.11

##### Stem Seals

Viton O-ring with PTFE back-up ring

##### Stem Seal Lock (soft seat model)

12L14 carbon steel or 316 SS

##### Stem Seat (soft seat model)

Delrin

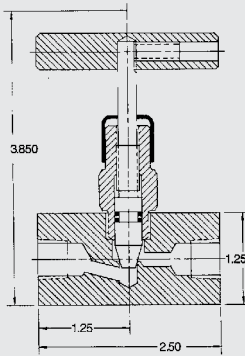
##### Orifice Size

0.187" (4.75 mm)

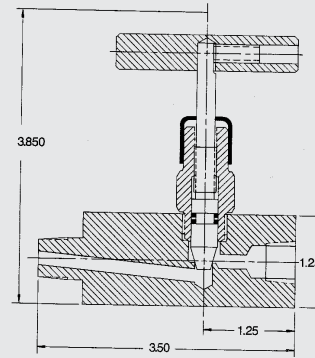
##### Order Options

Panel mounting bracket

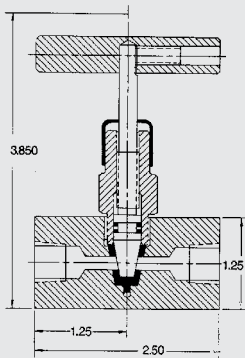
**Hard Seat  
Female - Female**



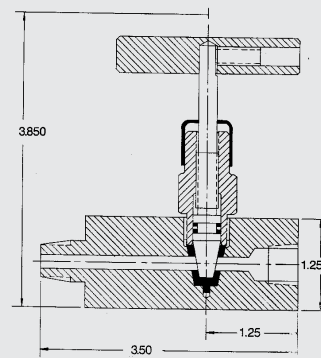
**Hard Seat  
Male - Female**



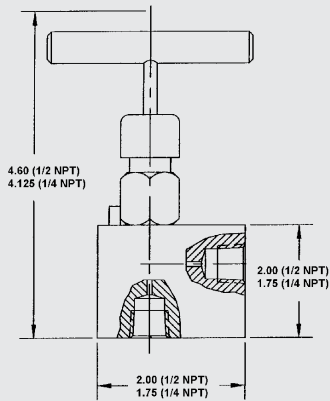
**Soft Seat  
Female - Female**



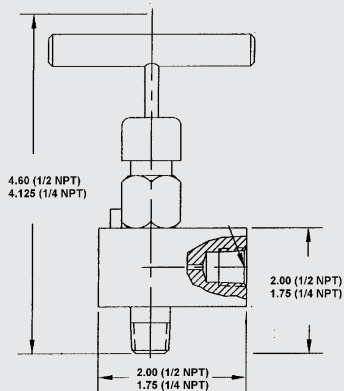
**Soft Seat  
Male - Female**



**Hard Seat  
Female - Female  
Angle Valve**



**Hard Seat  
Male - Female  
Angle Valve**



**Ordering Information:**

State computer part number (if available) / model number / size / range / connection size and location / options required.

Specifications given in this price list represent the state of engineering at the time of printing. Modifications may take place and the specified materials may change without prior notice



**WIKA Instrument Corporation**  
 1000 Wiegand Boulevard  
 Lawrenceville, GA 30043-5868  
 Tel: 888-WIKA-USA • 770-513-8200  
 Fax: 770-338-5118  
 E-Mail: info@wika.com  
 www.wika.com