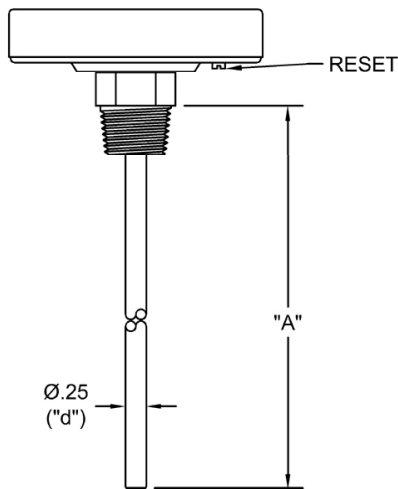
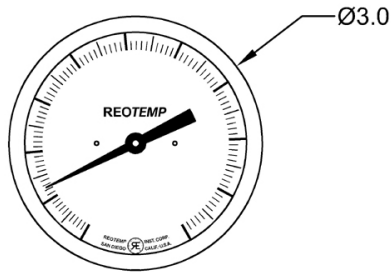


# Bimetal Thermometer



<b>Part #:</b>	AA0251F43-PY
<b>Description:</b>	Industrial Bimetal Dial Thermometer, 3" Dial Back Conn./Reset, 2.5" Stem, 1/2" NPT (fits std. thermowell), 0/200°F, Polycarbonate Window

<b>Thermometer Data:</b>	
<i>Dial Size/ Configuration:</i>	3" Dial Back Conn./Reset
<i>Stem Length, "A" :</i>	2.5 in. (64mm)
<i>Stem Dia., "d" :</i>	1/4"
<i>Process Connection:</i>	1/2" NPT (fits std. thermowell)
<i>Temperature Range:</i>	0/200°F
<i>Accuracy:</i>	+/- 1% of full scale
<i>Actuation:</i>	Bimetal coil in stem
<i>Sealing:</i>	Hermetically Sealed per ASME B40.3

<b>Options and Accessories:</b>	
(may not be depicted in drawing)	
<i>Option 1:</i>	Polycarbonate Window

<b>Revisions*:</b>	Data generated on:	12/9/2020
<b>Latest Rev:</b>	x1	Rev. Date: 11/1/2012
<b>Description:</b>	Initial Release	

\*Revision date applies to all possible data: Individual drawings may not be affected. To obtain current revision, re-generate drawing at [www.reotemp.com](http://www.reotemp.com).

THIS DRAWING AND SPECIFICATIONS ARE THE PROPERTY OF REOTEMP INSTRUMENT CORP. AND ARE ISSUED IN STRICT CONFIDENCE AND SHALL NOT BE REPRODUCED, COPIED OR USED AS THE BASIS FOR MANUFACTURE OR SALE OF ITEMS DEPICTED HEREIN WITHOUT WRITTEN PERMISSION FROM REOTEMP INSTRUMENT CORP.  
 NOTES (UNLESS OTHERWISE SPECIFIED):  
 1. DIMENSIONS ARE IN INCHES

<b>File Control</b>
BH-AA
BC-1A
BS-25

Part Name: AA0251F43-PY		REOTEMP Instrument Corporation 10656 Roselle Street San Diego, CA 92121 USA Phone: (858) 784-0710 Fax: (858) 784-0720		DATE SEE ABOVE DRAWN BY JR APPROVED
UNLESS OTHERWISE SPECIFIED DIMENSIONS ARE IN INCHES TOLERANCES ARE: FRACTIONS DECIMALS ANGLES ± 1/32 .X ± .2 ± 5° .XX ± .01 .XXX ± .005	SIZE B	CAGE CODE: 24793	DWG NO. SEE ABOVE	
Copyright © 2012 REOTEMP Instruments	SCALE: NTS	FILE NAME:	SHEET 1 OF 1	