



## COST-EFFICIENT MULTIPURPOSE PRESSURE TRANSMITTER

ANALOG PRESSURE TRANSMITTER FOR A BROAD RANGE OF APPLICATIONS

The Econoline pressure transmitter is built for 'next-level' performance at an optimum price point. It combines a proven media-isolated, piezoresistive silicon sensor with contemporary signal conditioning electronics to provide a compact pressure transmitter with class-leading Total Error Band accuracy. In addition, the Econoline provides outstanding performance under harsh environmental conditions, including those with high levels of electromagnetic radiation, both conducted and radiated.

The Econoline provides trouble-free service and sufficient accuracy for almost any application, including those involving aggressive media and/or high levels of electromagnetic interference and where small size, low weight, and reasonable cost are required.

The modular design of the Econoline provides maximum versatility for customer specific applications and is produced using modern lean manufacturing methods, allowing short lead times thus negating the need for the user to maintain extra inventory on-site.

For more information on the Econoline, or any other KELLER product, please contact Keller America, or visit [kelleramerica.com](http://kelleramerica.com).

### FEATURES

< ±1% Total Error Band (TEB) accuracy over 0...50°C for optimum performance in real-world conditions

316L Stainless Steel wetted materials for compatibility with aggressive media

Full scale ranges from 30 to 10,000 PSI

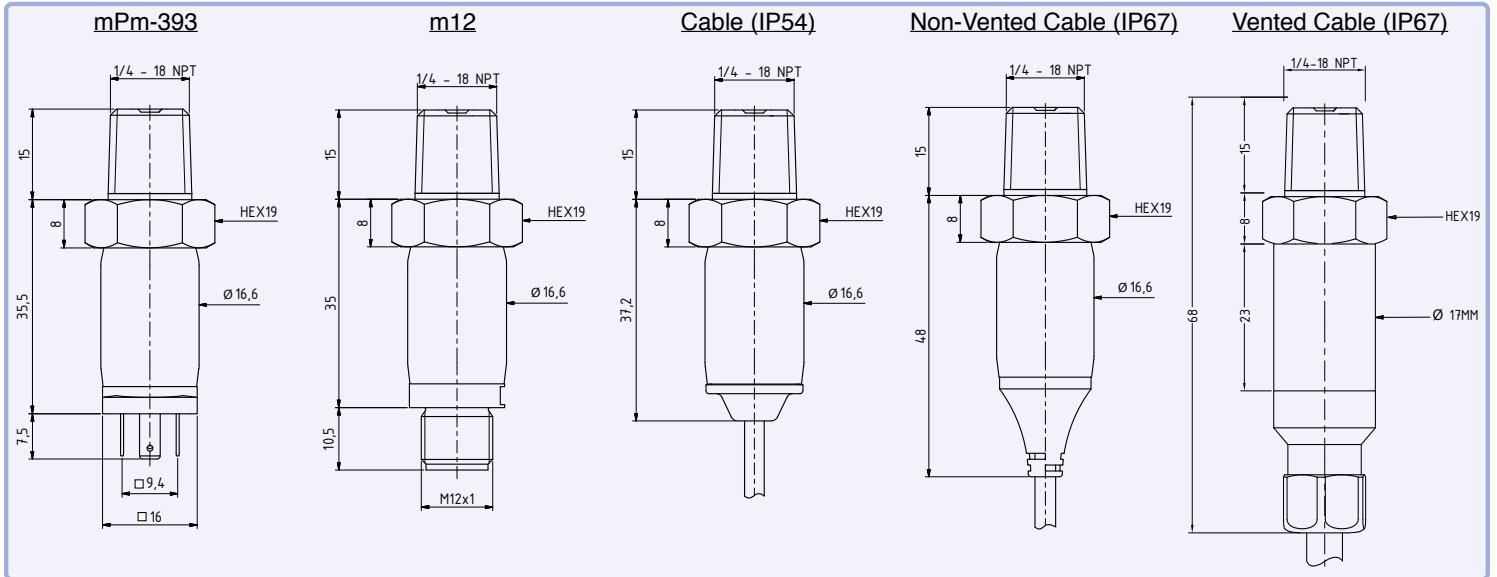
2-year warranty covers defects in materials and workmanship

Industry standard 2-wire, 4-20mA output simplifies interface to controls, data collection, and telemetry systems

Built in the U.S.A. ARRA Section 1605 Compliant

## ECONOLINE





### Pressure Ranges<sub>1</sub>

Relative (PR)	0...30, 50, 100, 150, 200, & 300 PSIG
Absolute (PAA)	0...30, 50, & 100 PSIA
Sealed (PA)	0...500, 1000, 2000, 3000, 5000, & 10000 PSIS
Proof Pressure	2X for ranges up to 5k PSI 1.5X for 10k PSI

1. PSIG = Gage; Zero-point referenced to local atmospheric pressure.
- PSIA = Absolute; Zero-point set at hard vacuum.
- PSIS = Sealed Gage; Zero-point set at 1 bar absolute (14.504 PSIA).

### Accuracy<sub>2</sub>

Static	±0.25% FS Typical ±0.5% FS Max.
Total Error Band (TEB)	±1.0% FS Max.

2. Static accuracy includes the combined effects of non-linearity, hysteresis, and non-repeatability at room temperature (25°C). Total Error Band (TEB) includes the combined effects of non-linearity, hysteresis, and non-repeatability as well as thermal dependencies, over the compensated temperature range, expressed as a percentage of the full scale (FS).

### Electrical

Supply	8...32 VDC
Load Resistance (mA)	<(Supply-8V)/0.025A
Load Resistance (VDC)	>5k ohm

### Certifications

CE (EMC)	EN61000-6-3, EN61000-6-2, EN61326-2-3
Shock	20g (11ms) half-sine, any axis
Vibration	20g (5-2KHz, max. amp ±3mm per IEC68-2-6)

### Connection

Process	1/4"-18NPT Male
Electrical	Standard mPm393 <sub>4</sub> Optional M12 <sub>5</sub> Optional 10 ft. PVC Cable <sub>6</sub> Optional 10 ft. PUR Cable <sub>7</sub>

4. Mating connector supplied at no extra cost.
5. Mating connector/cable assembly sold separately.
6. Vented (PR) versions only.
7. Non-vented (PA and PAA) versions only.

### Output

Standard <sub>3</sub>	4...20mA
-----------------------	----------

3. VDC outputs available on request, minimum order quantities may apply.

### Wiring Information

	+Vcc Supply	Output / Ground
mPm-393	Pin 3	Pin 1
M12	Pin 1	Pin 3
Vented Cable	Black	White
Non-vented Cable	Brown or Black	White

Pins 1 & 3 refer to the mPm and M12 style connectors. Colors refer to 24AWG PE-jacketed cable conductors.

### Environmental

Protection Rating	
mPm393	PR: IP54, PA and PAA: IP67
M12	PR: IP54, PA and PAA: IP67
Cable	PR: IP54 or IP67, PA and PAA: IP67
Operating Temp.	-40...100°C
Compensated Temp.	0...50°C
Wetted Materials	316 L Stainless Steel